

PART NUMBER

**KAD178689**

REV.

DATE

COMMENTS

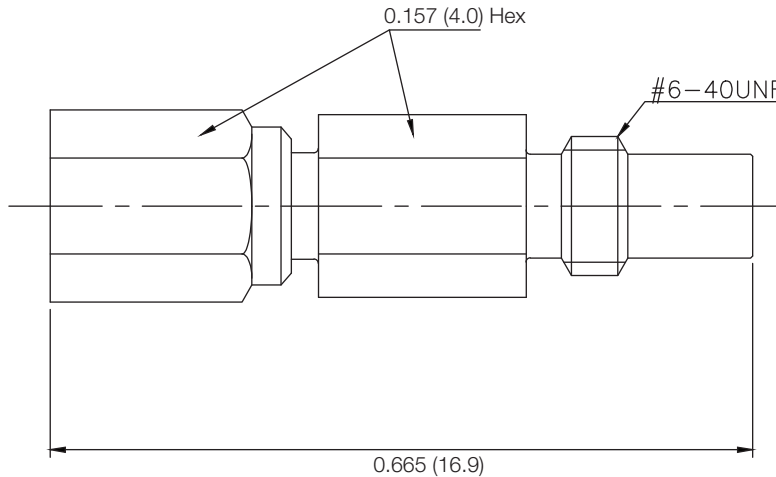
INITIAL

**Electrical Data**

Impedance 50  $\Omega$   
 Frequency Range DC - 12.4 GHz.  
 Insertion Loss 0.3 dB @ 1.5 GHz  
 Working Voltage 250 VRMS max  
 Insulation Resistance 1,000 M $\Omega$  min  
 Dielectric Withstanding Voltage 750V min  
 VSWR 1.15+ 0.03xF(GHz)

**RoHS Compliant****Mechanical Data**

Temperature Range: -55 °C - 125 °C



Drawing not to scale. Dimensions for reference only

Units: inches (mm)

**Konnect RF**

WWW.KONNECTRF.COM  
 1-800-790-5887

PART NUMBER

**KAD178689**

DESCRIPTION

**Adapter, In-Series, SSMC Female Plug to Male Jack**

CAGE CODE

**664U0**

SIGNATURE

X

THIS DRAWING INCLUDING THE  
 DESIGNS IS THE PROPERTY OF  
 KONNECT RF AND IS NOT TO  
 BE USED FOR ANY PURPOSE  
 WITHOUT OUR APPROVAL.

**Component**

Body & Coupling Cap  
 Center Contact  
 Insulator

**Material**

Brass  
 BeCu  
 PTFE

**Plating**

Gold  
 Gold