

PART NUMBER

**KAD178672**

REV.

DATE

COMMENTS

INITIAL

**Electrical Data**

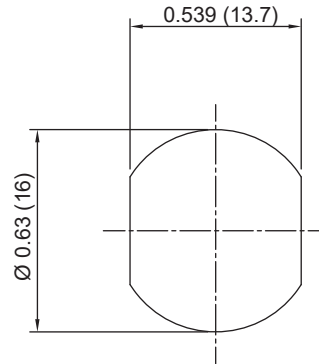
Impedance	50 $\Omega$
Frequency Range	DC - 18 GHz.
Voltage Rating	500 VRMS
Dielectric Withstanding Voltage	1,500 VRMS
VSWR	$\leq 1.20$ Max @ DC-15GHz $\leq 1.30$ Max @ 11-18GHz
Insertion Loss	<0.15dB @ 9GHz
RF Leakage	-90dBm min. @ 3GHz
Power Handling	2W/CW

**Mechanical Data**

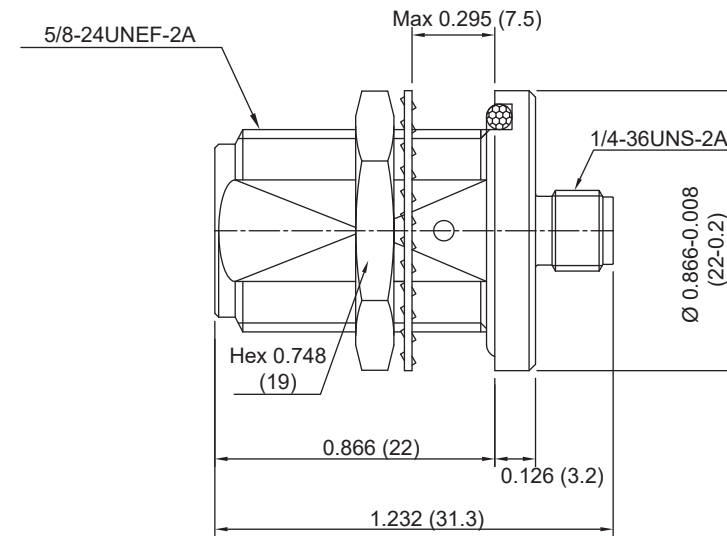
Durability	500 Cycles Min.
Temperature Range:	-45 °C - 155 °C

**Environmental Data**

Temperature Range	-65 °C - 125 °C
Corrosion Resistance	MIL-STD-202, Method 101, Condition B.
Moisture Resistance	MIL-STD-202, Method 106
Thermal Shock	MIL-STD-202, Method 107, Condition B
Vibration	MIL-STD-202, Method 204, Condition D
Shock	MIL-STD-202, Method 213, Condition I



Mounting Hole

**RoHS Compliant**

Drawing not to scale. Dimensions for reference only

Units: inches (mm)

**Konnect RF**WWW.KONNECTRF.COM  
1-800-790-5887

PART NUMBER

**KAD178672**

DESCRIPTION

**Adapter, Between Series, N Female Jack Bulkhead to SMA Female Jack, PSS, O-Ring Seal**

CAGE CODE

**664U0**

SIGNATURE

X

THIS DRAWING INCLUDING THE DESIGNS IS THE PROPERTY OF KONNECT RF AND IS NOT TO BE USED FOR ANY PURPOSE WITHOUT OUR APPROVAL.

**Component**Body, Nut & Washer  
Center Contact  
Insulator  
Seal**Material**Stainless Steel  
BeCu  
PTFE  
Silicone Rubber**Plating/Finish**Passivated  
Gold