

PART NUMBER

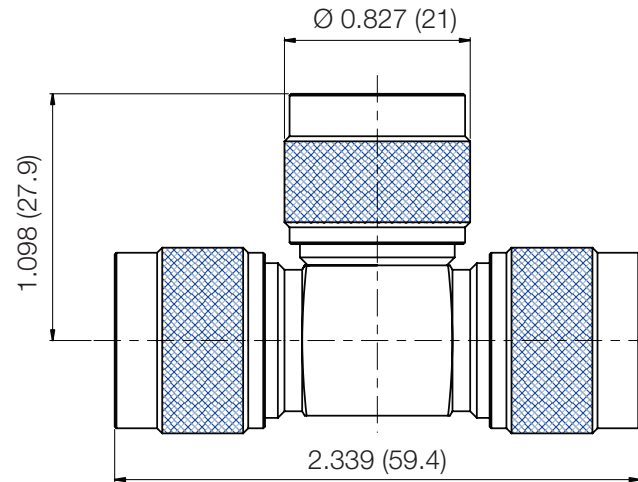
KAD178649

REV.

DATE

COMMENTS

INITIAL

Electrical DataImpedance 50 Ω **RoHS Compliant**

Drawing not to scale. Dimensions for reference only

Units: inches (mm)

Konnect RF

WWW.KONNECTRF.COM
1-800-790-5887

PART NUMBER

KAD178649

DESCRIPTION

Adapter, In-Series N Male Plug to Male Plug to Male Plug

CAGE CODE

664U0

SIGNATURE

X

Component

Body & Ferrule
Center Contact
Insulator

Material

Brass
BeCu
PTFE

Plating

White Bronze
Gold over Nickel-Phos. over Copper

THIS DRAWING INCLUDING THE
DESIGNS IS THE PROPERTY OF
KONNECT RF AND IS NOT TO
BE USED FOR ANY PURPOSE
WITHOUT OUR APPROVAL.