

PART NUMBER

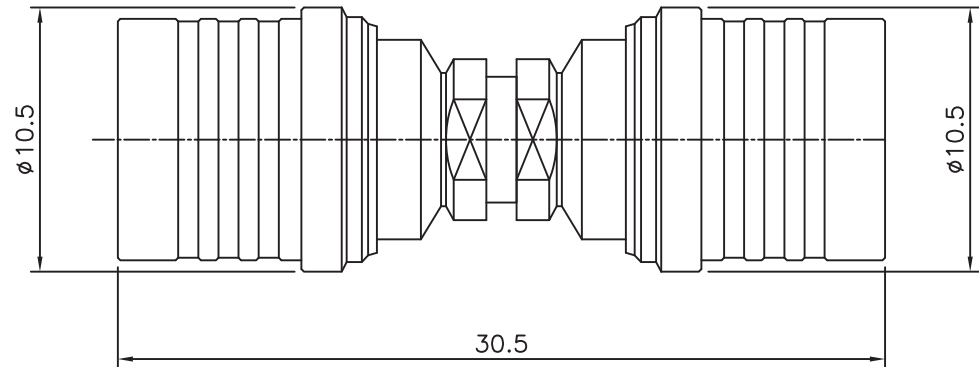
KAD178517

REV.

INITIAL

Electrical Data

Impedance 50 Ω
 Frequency Range DC - 6 GHz.
 VSWR ≤ 1.20

RoHS Compliant

Drawing not to scale. Dimensions for reference only

Units: mm

WWW.KONNECTRF.COM
 1-800-790-5887

PART NUMBER

KAD178517

DESCRIPTION

Adapter, In-Series, QMA Male Plug to Male Plug

CAGE CODE

664U0

SIGNATURE

X

THIS DRAWING INCLUDING THE
 DESIGNS IS THE PROPERTY OF
 KONNECT RF AND IS NOT TO
 BE USED FOR ANY PURPOSE
 WITHOUT OUR APPROVAL.

Component

Body
 Coupling Sleeve
 Center Contact
 Outer Contact
 Insulator

Material

Brass
 Brass
 Brass
 Brass
 PTFE

Plating

White Bronze
 White Bronze
 Gold
 White Bronze