

PART NUMBER

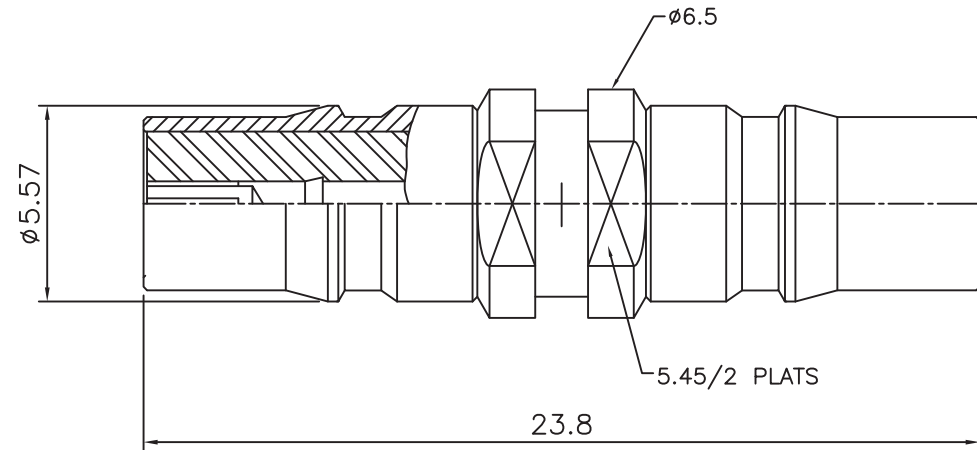
KAD178514

REV.

INITIAL

Electrical Data

Impedance 50 Ω
 Frequency Range DC - 6 GHz.
 VSWR ≤ 1.20

RoHS Compliant

Drawing not to scale. Dimensions for reference only

Units: mm

Konnnect RF

WWW.KONNECTRF.COM
 1-800-790-5887

PART NUMBER

KAD178514

DESCRIPTION

Adapter, In-Series, QMA Female Jack to Female Jack

CAGE CODE

664U0

SIGNATURE

X

THIS DRAWING INCLUDING THE
 DESIGNS IS THE PROPERTY OF
 KONNECT RF AND IS NOT TO
 BE USED FOR ANY PURPOSE
 WITHOUT OUR APPROVAL.

Component

Body
 Center Contact
 Insulator

Material

Brass
 BeCu
 PTFE

Plating

White Bronze
 Gold