

PART NUMBER

**KAD178492**

REV.

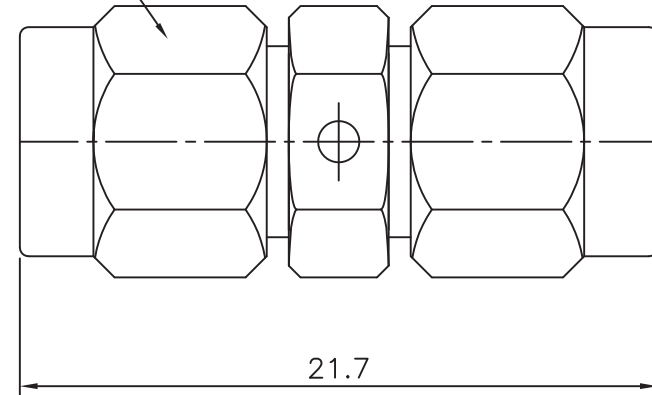
INITIAL

**Electrical Data**

Impedance	50 $\Omega$
Frequency Range	DC - 18 GHz
VSWR	1.20:1
Insulation Resistance	5000 M $\Omega$ Min.
Contact Resistance	$\leq 3$ M $\Omega$
Working Voltage	335 VRMS Max.
DWV	1000 V Min.
Operating Temp. Range	-45°C ~ 85°C
Durability	500 Cycles

**RoHS Compliant**

8HEX.



Drawing not to scale. Dimensions for reference only

Units: mm

**Konnect RF**

WWW.KONNECTRF.COM  
1-800-790-5887

PART NUMBER

**KAD178492**

DESCRIPTION

**Adapter, In Series, SMA Male Plug to Male Plug**

CAGE CODE

**664U0**

SIGNATURE

X

THIS DRAWING INCLUDING THE  
DESIGNS IS THE PROPERTY OF  
KONNECT RF AND IS NOT TO  
BE USED FOR ANY PURPOSE  
WITHOUT OUR APPROVAL.

**Component**

Body  
Center Contact  
Coupling Cap  
Insulator

**Material**

Brass  
Brass  
Brass  
PTFE

**Plating**

Nickel  
Gold  
Nickel