

PART NUMBER

KAD178437

REV.

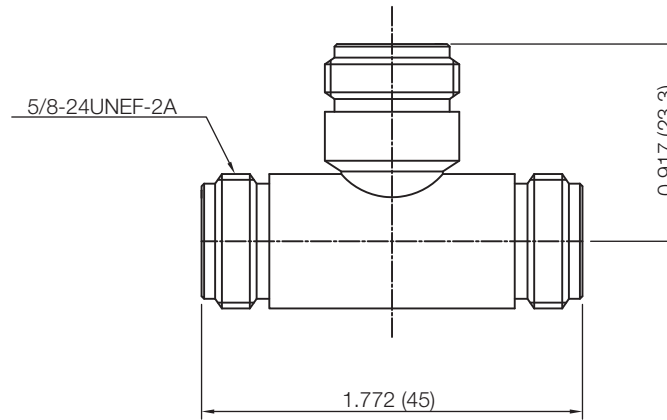
DATE

COMMENTS

INITIAL

Electrical Data

Impedance	50 Ω
Frequency Range	DC - 11 GHz.
Insertion Loss	≤ 3.0 dB
Working Voltage	1,000 VRMS
Contact Resistance	
Center	≤ 2.0 m Ω
Outer	≤ 0.2 m Ω
Contact Current	DC 7.5A max.
Insulation Resistance	$\geq 5,000$ M Ω
VSWR	≤ 2.0

RoHS Compliant

Drawing not to scale. Dimensions for reference only

Units: inches (mm)

Konnect RF

WWW.KONNECTRF.COM
1-800-790-5887

PART NUMBER

KAD178437

DESCRIPTION

Adapter, T-Type, N Female Jack to Female Jack to Female Jack

CAGE CODE

664U0

SIGNATURE

X

THIS DRAWING INCLUDING THE
DESIGNS IS THE PROPERTY OF
KONNECT RF AND IS NOT TO
BE USED FOR ANY PURPOSE
WITHOUT OUR APPROVAL.

Component

Body
Center Contact
Insulator

Material

Brass
BeCu
PTFE

Plating

Silver
Silver