

PART NUMBER

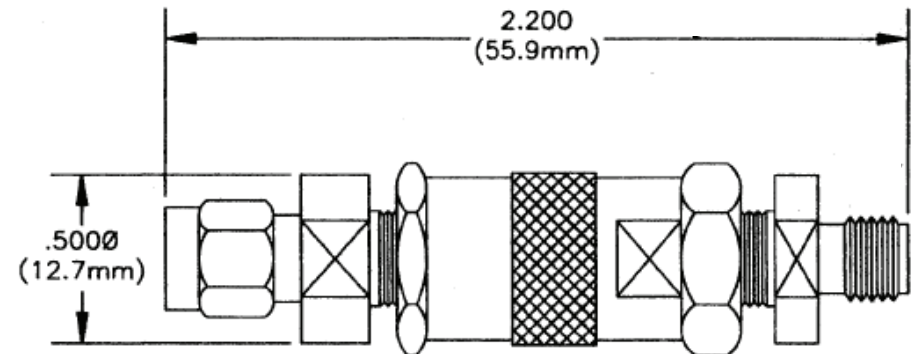
KAD178287

REV.

INITIAL

Electrical Data

Impedance	50 Ω
Frequency Range	DC - 18 GHz
VSWR	1.30:1
Insertion Loss	.5 dB @ 18 Ghz
Phase Adjustment Range	10% @ F(GHz)

RoHS Compliant

Drawing not to scale. Dimensions for reference only

Units: Inches (mm)

Konnect RF

WWW.KONNECTRF.COM
1-800-790-5887

PART NUMBER

KAD178287

DESCRIPTION

**Adapter, Phase Adjustable
SMA Male Plug to Female Jack**

CAGE CODE

664U0

SIGNATURE

X

THIS DRAWING INCLUDING THE
DESIGNS IS THE PROPERTY OF
KONNECT RF AND IS NOT TO
BE USED FOR ANY PURPOSE
WITHOUT OUR APPROVAL.

Component

SMA Female Body
SMA Male Body
Coupling Nut
Contact
Retaining Ring
Insulator

Material

Stainless Steel
Stainless Steel
Stainless Steel
Be.Cu
Be.Cu
PTFE

Plating

Gold
Gold
Passivated
Gold
Black Oxide