

PART NUMBER

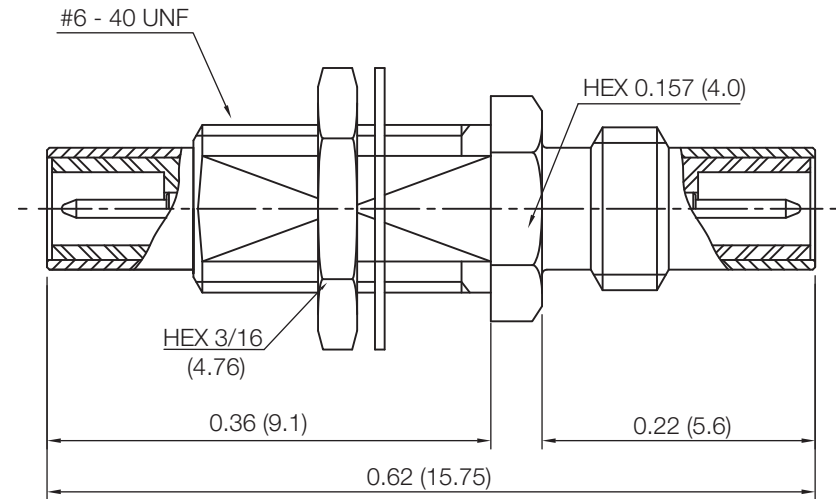
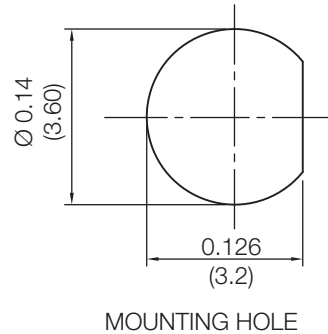
KAD178263

REV.

INITIAL

Electrical Data

Impedance 50 Ω
 VSWR 1.2:1 (-20 dB) @ DC - 6 GHz
 CW Power 10 Watt @ Max

RoHS Compliant

Drawing not to scale. Dimensions for reference only

Units: inches (mm)

Konnnect RF

WWW.KONNECTRF.COM
 1-800-790-5887

PART NUMBER

KAD178263

DESCRIPTION

**Adapter, In-Series, SSMC Male
Jack Bulkhead to Male Jack**

CAGE CODE

664U0

SIGNATURE

X

THIS DRAWING INCLUDING THE
 DESIGNS IS THE PROPERTY OF
 KONNECT RF AND IS NOT TO
 BE USED FOR ANY PURPOSE
 WITHOUT OUR APPROVAL.

Component

Body, Nut, & Washer
 Center Contact
 Insulator

Material

Brass
 Brass
 PTFE

Plating

Gold
 Gold