

PART NUMBER

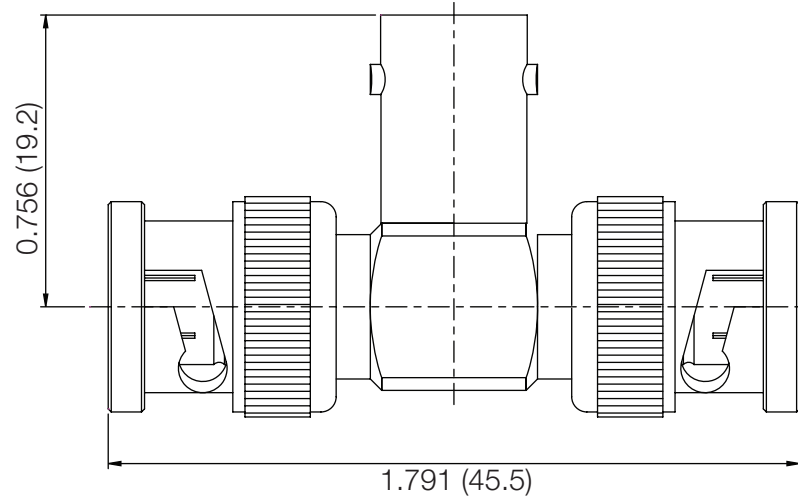
KAD178220

REV.

DATE

COMMENTS

INITIAL

Electrical DataImpedance 50 Ω *This connector is a non-matched 3 dB divider for low frequency applications. VSWR \geq 2.0 when terminated 50 Ω .**RoHS Compliant**

Drawing not to scale. Dimensions for reference only

Units: inches (mm)

Konnect RFWWW.KONNECTRF.COM
1-800-790-5887

PART NUMBER

KAD178220

DESCRIPTION

Adapter, T-Type, BNC Male Plug to Female Jack to Male Plug

CAGE CODE

664U0

SIGNATURE

X

THIS DRAWING INCLUDING THE
DESIGNS IS THE PROPERTY OF
KONNECT RF AND IS NOT TO
BE USED FOR ANY PURPOSE
WITHOUT OUR APPROVAL.**Component**Body & Coupling Nut
Center Contact(Jack)
Center Contact(Plug)
Spring
Gasket
Insulator**Material**Brass
Phos. Bronze
Brass
SK5
Silicone Rubber
PTFE**Plating**Gold over Nickel over Copper
Gold over Nickel over Copper
Gold over Nickel over Copper
White Bronze