

PART NUMBER

**KAD178219**

REV.

DATE

COMMENTS

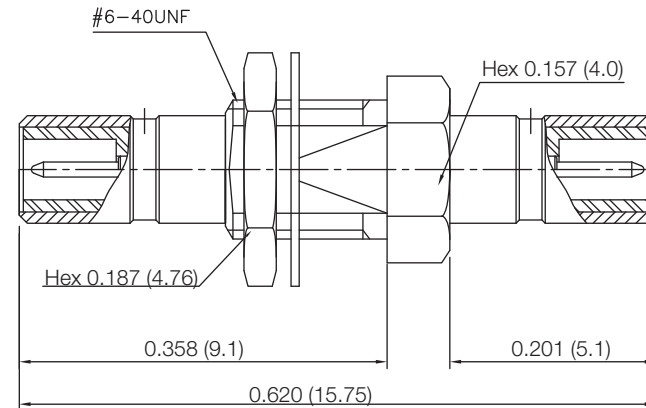
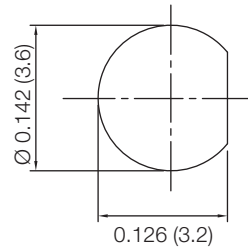
INITIAL

**Electrical Data**

Impedance	50 $\Omega$
Frequency Range	DC-12 GHz
Working Voltage	250 VRMS max
Dielectric Withstanding Voltage	750 V Min
Insulation Resistance	1,000 M $\Omega$ min
VSWR	1.20 + 0.03xF(GHz)

**Mechanical Data**

Temperature Range: -55 °C - 145 °C

**RoHS Compliant**

Drawing not to scale. Dimensions for reference only

Units: inches (mm)

**Konnect RF**

WWW.KONNECTRF.COM  
1-800-790-5887

PART NUMBER

**KAD178219**

DESCRIPTION

**Adapter, In Series, SSMB Male Jack to Male Jack, Bulkhead**

CAGE CODE

**664U0**

SIGNATURE

X

**Component**  
Body & Nut  
Center Contact  
Insulator

**Material**  
Brass  
Brass  
PTFE

**Plating**  
Gold  
Gold

THIS DRAWING INCLUDING THE  
DESIGNS IS THE PROPERTY OF  
KONNECT RF AND IS NOT TO  
BE USED FOR ANY PURPOSE  
WITHOUT OUR APPROVAL.