

PART NUMBER

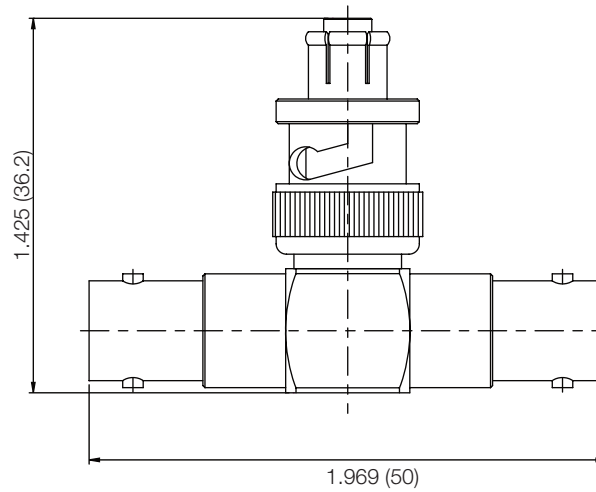
KAD178215

REV.

DATE

COMMENTS

INITIAL

Electrical DataImpedance 50 Ω **RoHS Compliant**

Drawing not to scale. Dimensions for reference only

Units: inches (mm)

Konnect RFWWW.KONNECTRF.COM
1-800-790-5887

PART NUMBER

KAD178215

DESCRIPTION

T Adapter, In-Series, SHV Male Jack to Female Plug to Male Jack

CAGE CODE

664U0

SIGNATURE

X

THIS DRAWING INCLUDING THE
DESIGNS IS THE PROPERTY OF
KONNECT RF AND IS NOT TO
BE USED FOR ANY PURPOSE
WITHOUT OUR APPROVAL.**Component**Body & Washer
Lock Washer
Contact Pin (Plug)
Contact Pin (Jack)
Coupling Sleeve
Insulator**Material**Brass
Brass
Brass
BeCu
Brass
PTFE**Plating**White Bronze
White Bronze
Gold over Nickel over Copper
Gold over Nickel over Copper
White Bronze