

PART NUMBER

KAD178204

REV.

DATE

COMMENTS

INITIAL

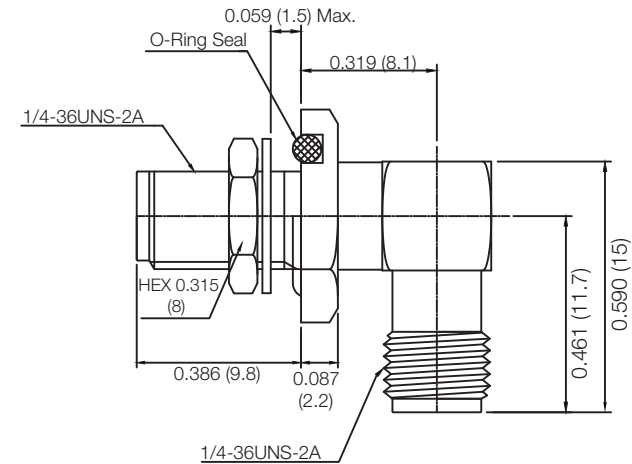
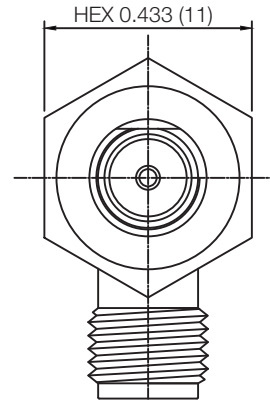
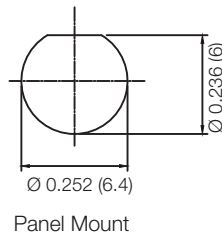
A

5-15-13

Added HEX Bulkhead Dimension

Electrical Data

Impedance	50 Ω
Frequency Range	DC - 18 GHz.
Return Loss	\geq 20 dB @ DC - 8 GHz
Insulation Resistance	\geq 5,000 M Ω
Average Power Handling	100 W @ 1 GHz

RoHS Compliant

Drawing not to scale. Dimensions for reference only

Units: inches (mm)

Konnect RF

WWW.KONNECTRF.COM
1-800-790-5887

PART NUMBER

KAD178204

DESCRIPTION

Adapter, In-Series, SMA Right Angle Female Jack to Female Jack

CAGE CODE

664U0

SIGNATURE

X

THIS DRAWING INCLUDING THE DESIGNS IS THE PROPERTY OF KONNECT RF AND IS NOT TO BE USED FOR ANY PURPOSE WITHOUT OUR APPROVAL.

Component

Body, Nut, & Washer
Center Contact
Insulator
O-Ring Seal

Material

Brass
BeCu
PTFE
Silicone Rubber

Plating

Gold
Gold