

PART NUMBER

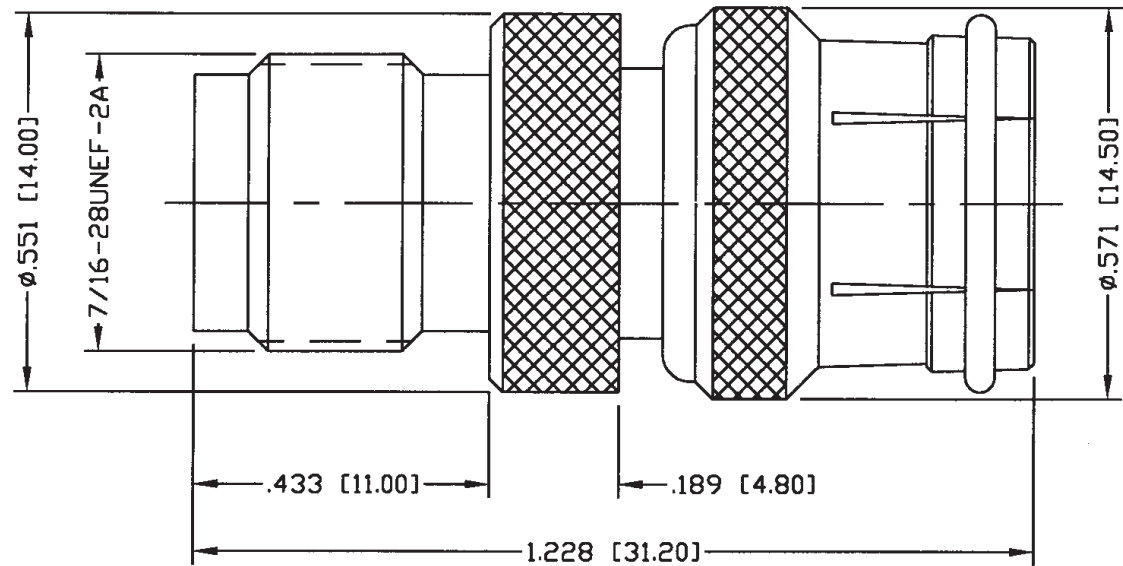
KAD178148

REV.

INITIAL

Electrical Data

Impedance 50 Ω
 Frequency Range DC - 7 GHz
 Working Voltage 500 V rms Max. @ sea level
 Insulation Resistance $\geq 5000M\Omega$

RoHS Compliant

VSWR and Frequency Range Specifications are for reference and are dependant on cable type and other application specific conditions

Drawing not to scale. Dimensions for reference only

WWW.KONNECTRF.COM
 540 NW University Blvd. Ste. 109
 Port Saint Lucie, Florida, 34986
 1-800-790-5887

PART NUMBER

KAD178148

DESCRIPTION

Adapter - In -Series - TNC Male Plug to Female Jack - Quick Disconnect

CAGE CODE

664U0

SIGNATURE

X

THIS DRAWING INCLUDING THE DESIGNS IS THE PROPERTY OF KONNECT RF AND IS NOT TO BE USED FOR ANY PURPOSE WITHOUT OUR APPROVAL.

Materials

Body / Shell
 Center Contact
 Insulator

Brass
 Brass
 PTFE

Nickel Plated
 Gold Plated