

PART NUMBER

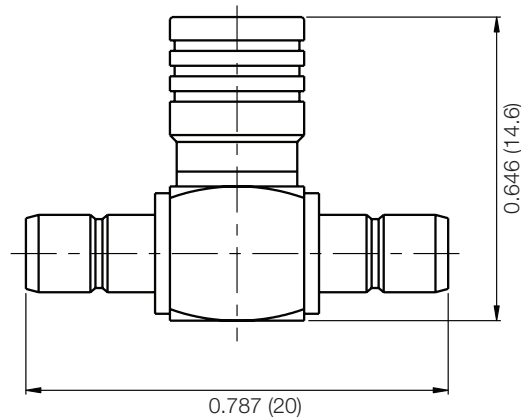
**KAD178107**

REV.

DATE

COMMENTS

INITIAL

**Electrical Data**Impedance 50  $\Omega$ **RoHS Compliant**

Drawing not to scale. Dimensions for reference only

Units: inches (mm)

**Konnect RF**WWW.KONNECTRF.COM  
1-800-790-5887

PART NUMBER

**KAD178107**

DESCRIPTION

**T Adapter, In-Series, SMB Male Jack to Female Plug to Male Jack**

CAGE CODE

**664U0**

SIGNATURE

X

THIS DRAWING INCLUDING THE  
DESIGNS IS THE PROPERTY OF  
KONNECT RF AND IS NOT TO  
BE USED FOR ANY PURPOSE  
WITHOUT OUR APPROVAL.**Component**Body  
Contact Body  
Contact Pin (Plug)  
Contact Pin (Jack)  
Retainer Ring  
Insulator**Material**Brass  
Brass  
BeCu  
Brass  
Brass  
PTFE**Plating**Gold over Nickel over Copper  
Gold over Nickel over Copper  
Gold over Nickel over Copper  
Gold over Nickel over Copper  
White Bronze