

PART NUMBER

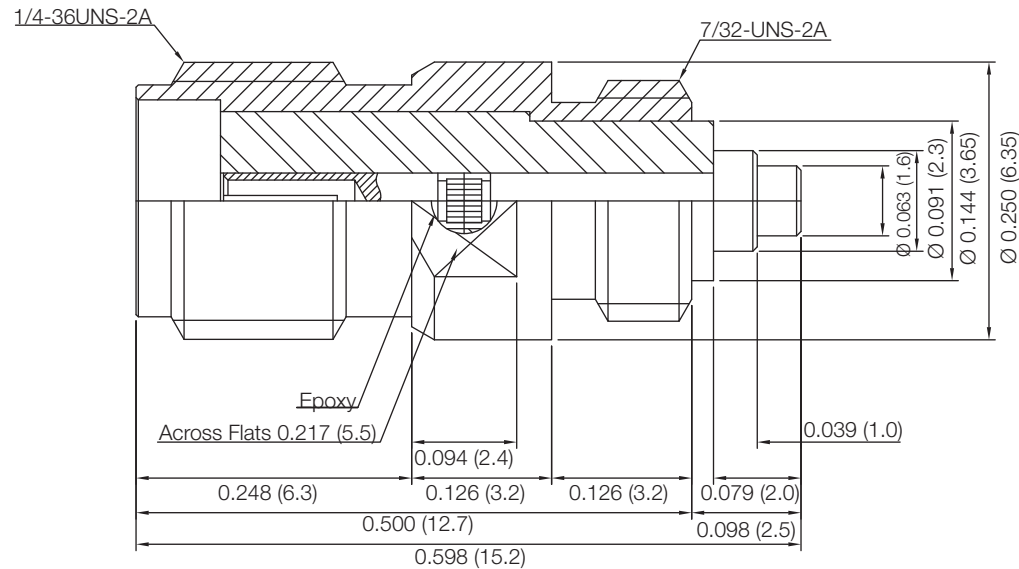
**KAD178063**

REV.

DATE

COMMENTS

INITIAL

**RoHS Compliant**

Drawing not to scale. Dimensions for reference only

Units: inches (mm)

**Konnect RF**WWW.KONNECTRF.COM  
1-800-790-5887

PART NUMBER

**KAD178063**

DESCRIPTION

**Custom Video Adapter, SMA Female Jack, PSS**

CAGE CODE

**664U0**

SIGNATURE

X

THIS DRAWING INCLUDING THE  
DESIGNS IS THE PROPERTY OF  
KONNECT RF AND IS NOT TO  
BE USED FOR ANY PURPOSE  
WITHOUT OUR APPROVAL.**Component**Body  
Center Contact  
Insulator**Material**Stainless Steel  
BeCu  
PTFE**Plating/Finish**Passivated  
Gold