

PART NUMBER

KAD177988

REV.

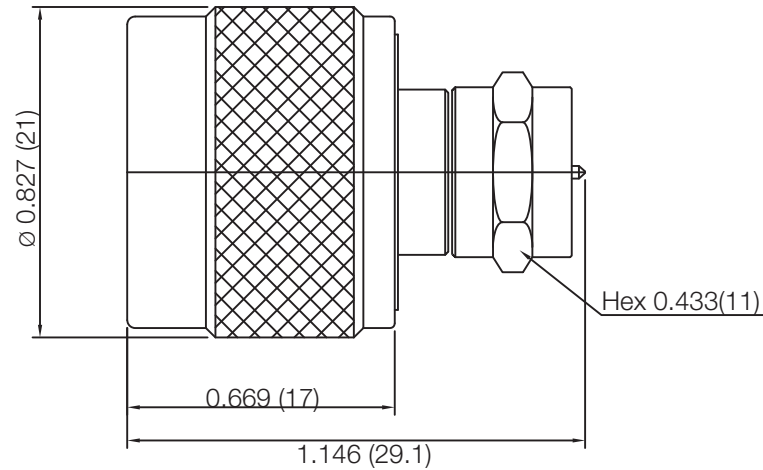
DATE

COMMENTS

INITIAL

Electrical Data

Impedance	50 Ω
Frequency Range	DC - 2 GHz.
VSWR	1.20 @ 2GHz Max

RoHS Compliant

Drawing not to scale. Dimensions for reference only

Units: inches (mm)

Konnect RF

WWW.KONNECTRF.COM
1-800-790-5887

PART NUMBER

KAD177988

DESCRIPTION

**Adapter, Between Series, N Male Plug
50 Ohm to F Male Plug 75 Ohm**

CAGE CODE

664U0

SIGNATURE

X

THIS DRAWING INCLUDING THE
DESIGNS IS THE PROPERTY OF
KONNECT RF AND IS NOT TO
BE USED FOR ANY PURPOSE
WITHOUT OUR APPROVAL.

Component

Body & Coupling Cap
Center Contact
Insulator

Material

Brass
Brass
PTFE

Plating

Nickel
Gold