

PART NUMBER

**KAD177963**

REV.

DATE

COMMENTS

INITIAL

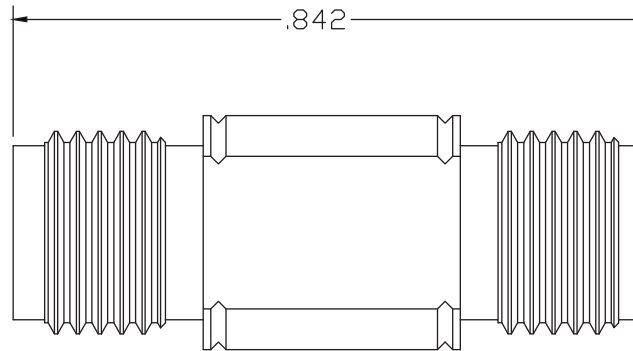
A

4-8-14

Updated Electrical Specs.

*MP***Electrical Data**

Impedance	50 $\Omega$
Frequency Range	DC - 50 GHz.
Insertion Loss	.05 $\sqrt{\text{Frequency}}$
VSWR	$\leq 1.3$ @ 50 GHz

**RoHS Compliant**

Drawing not to scale. Dimensions for reference only

Units: inches

**Konnect RF**

WWW.KONNECTRF.COM  
1-800-790-5887

PART NUMBER

**KAD177963**

DESCRIPTION

**Adapter, In-Series, 2.4mm Female Jack to Female Jack**

CAGE CODE

**664U0**

SIGNATURE

*X*

THIS DRAWING INCLUDING THE  
DESIGNS IS THE PROPERTY OF  
KONNECT RF AND IS NOT TO  
BE USED FOR ANY PURPOSE  
WITHOUT OUR APPROVAL.

**Component**

Body  
Center Contact  
Insulator

**Material**

Stainless Steel  
BeCu  
PTFE

**Plating/Finish**

Passivated  
Gold