

PART NUMBER

KAD177962

REV.

INITIAL

Electrical Data

Impedance 50 Ω
 Frequency Range DC - 50 GHz
 VSWR 1.3 Max. @ 50 GHz
 Insertion Loss .05 $\sqrt{\text{Frequency}}$

RoHS Compliant**Materials**

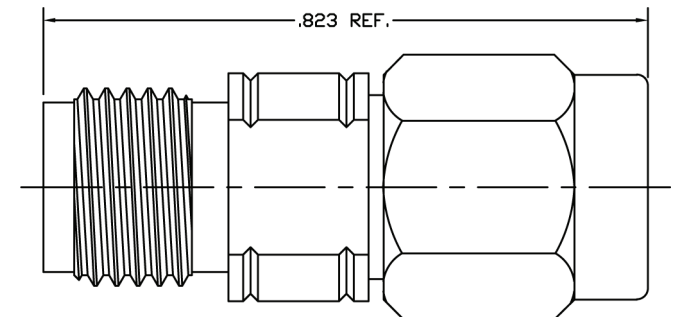
SST. Corrosion-Resistant, Non Magnetic 303, per ASTM A484 and A582. Beryllium Copper per ASTM-B-196, QQ-C-530 Oxide-Noryl (tm), MIL-P-46129

Finish

Center Conductors and solder components shall be plated per MIL-G-45204 Type II, Class 1 over Nickel plate per QQ-N-290.
 Body and Body components shall be passivated per ASTM A380.

VSWR and Frequency Range Specifications are for reference and are dependant on cable type and other application specific conditions

Drawing not to scale. Dimensions for reference only



WWW.KONNECTRF.COM
 540 NW University Blvd. Ste. 109
 Port Saint Lucie, Florida, 34986
 1-800-790-5887

PART NUMBER

KAD177962

DESCRIPTION

Precision Adapter - In-Series - 2.4mm Male Plug to Female Jack

CAGE CODE

664U0

SIGNATURE

X

THIS DRAWING INCLUDING THE DESIGNS IS THE PROPERTY OF KONNECT RF AND IS NOT TO BE USED FOR ANY PURPOSE WITHOUT OUR APPROVAL.