

PART NUMBER

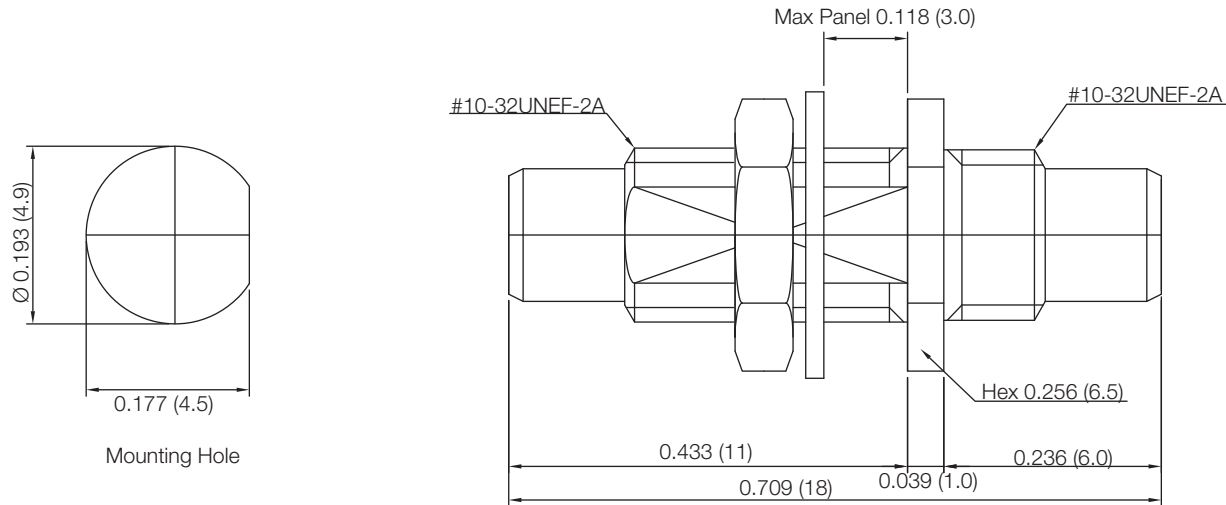
KAD177852

REV.

DATE

COMMENTS

INITIAL

Electrical DataImpedance 50 Ω **RoHS Compliant**

Drawing not to scale. Dimensions for reference only

Units: inches (mm)

Konnect RFWWW.KONNECTRF.COM
1-800-790-5887

PART NUMBER

KAD177852

DESCRIPTION

Adapter, In-Series, SMC Straight Male Jack to Male Jack, Panel/Bulkhead Mount

CAGE CODE

664U0

SIGNATURE

X

THIS DRAWING INCLUDING THE DESIGNS IS THE PROPERTY OF KONNECT RF AND IS NOT TO BE USED FOR ANY PURPOSE WITHOUT OUR APPROVAL.

ComponentBody
Center Contact
Insulator**Material**Brass
Brass
PTFE**Plating**Gold
Gold