

PART NUMBER

KAD177821

REV.

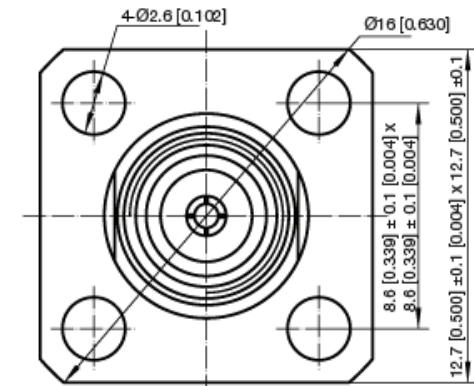
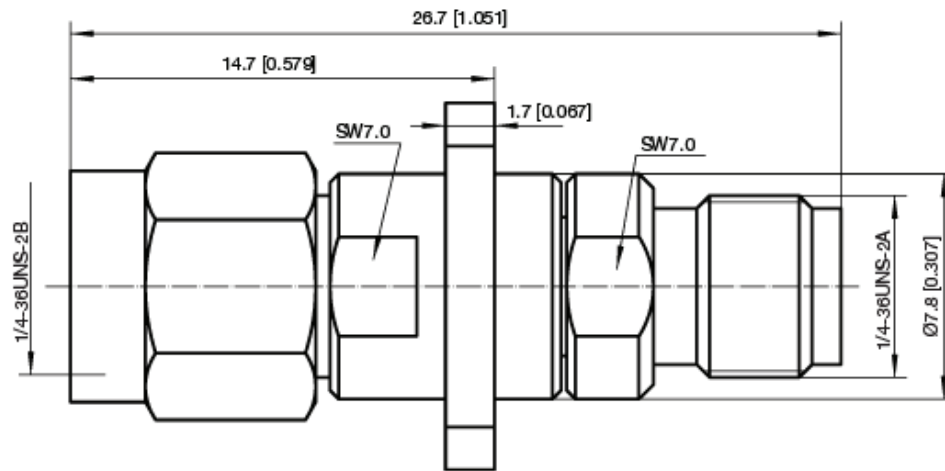
INITIAL

Electrical Data

Impedance 50 Ω
 Frequency Range DC to 35GHz

Contact Resistance
 Center Conductor $\leq 4.0M\Omega$
 Outer Conductor $\leq 2.5M\Omega$

VSWR ≤ 1.35
 Insulation Resistance $\geq 1000M\Omega$
 Insulator Withstanding 500V
 Durability 500 Cycles

RoHS Compliant

VSWR and Frequency Range Specifications are for reference and are dependant on cable type and other application specific conditions

Drawing not to scale. Dimensions for reference only

WWW.KONNECTRF.COM
 540 NW University Blvd. Ste. 109
 Port Saint Lucie, Florida, 34986
 1-800-790-5887

PART NUMBER

KAD177821

DESCRIPTION

Precision Adapter - In-Series - 3.5mm Male Plug to Female Jack - 4 Hole Flange Mount

CAGE CODE

664U0

SIGNATURE

X

Materials

Body
 Center Contact
 Gasket
 Insulator

Stainless Steel
 Be.Cu
 Silicone Rubber
 PEI MPPO

Passivated
 Gold Plated

THIS DRAWING INCLUDING THE DESIGNS IS THE PROPERTY OF KONNECT RF AND IS NOT TO BE USED FOR ANY PURPOSE WITHOUT OUR APPROVAL.