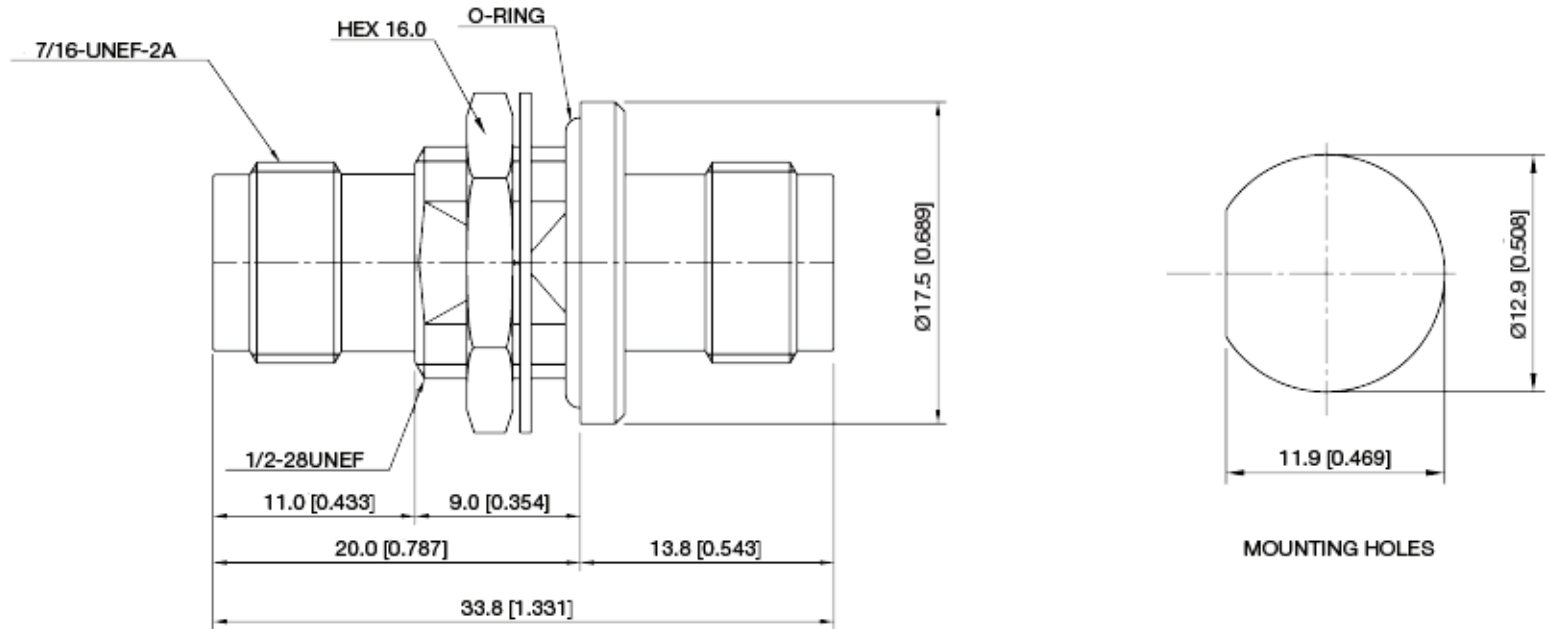


PART NUMBER

**KAD177724**

REV.

INITIAL

**RoHS Compliant**

VSWR and Frequency Range Specifications are for reference and are dependant on cable type and other application specific conditions

Drawing not to scale. Dimensions for reference only

WWW.KONNECTRF.COM  
540 NW University Blvd. Ste. 109  
Port Saint Lucie, Florida, 34986  
1-800-790-5887

PART NUMBER

**KAD177724**

DESCRIPTION

**Adapter - In Series**  
**TNC Female Jack to Female Jack Bulkhead**

CAGE CODE

**664U0**

SIGNATURE

X

THIS DRAWING INCLUDING THE DESIGNS IS THE PROPERTY OF KONNECT RF AND IS NOT TO BE USED FOR ANY PURPOSE WITHOUT OUR APPROVAL.

**Materials**

Body  
Nut / Washer  
Center Contact  
O-Ring  
Insulator

Brass  
Brass  
Be-Cu  
Silicone Rubber  
PTFE

Nickel Plated  
Nickel Plated  
Gold Plated