

**PART NUMBER**  
**KAD177700**

<b>REV.</b>			<b>INITIAL</b>

**Electrical Data**

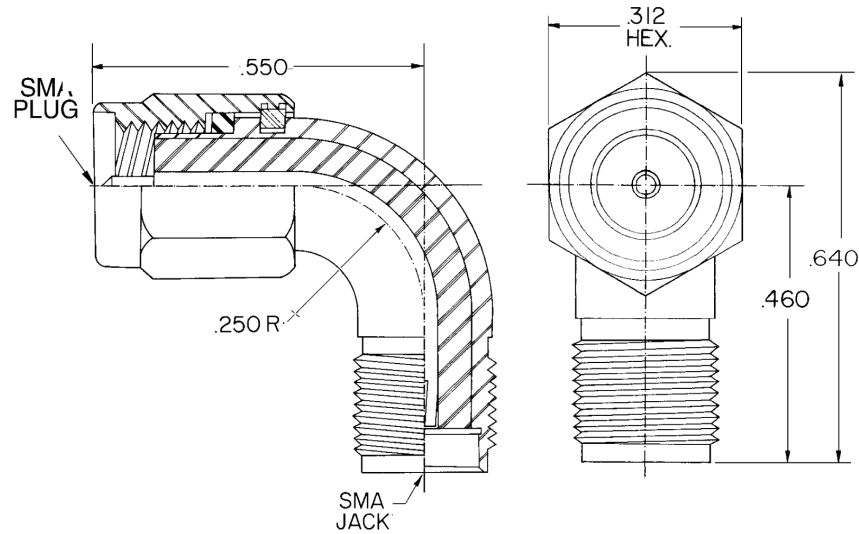
RoHS Compliant

Impedance 50 Ω  
 Frequency Range DC-18 GHz  
 Power Handling 50 Watts  
 VSWR 1.25:1 Max.

**Standards**

Adapter to meet or exceed all specifications PER MIL-39012

Mating dimensions in accordance with MIL-STD-348



**Drawing not to scale. Dimensions for reference only Units: inches**



**WWW.KONNECTRF.COM**  
**1-800-790-5887**

<b>PART NUMBER</b> <b>KAD177700</b>		<b>DESCRIPTION</b> Adapter, In-Series SMA Radius Right Angle Male Plug to Female Jack		
<b>CAGE CODE</b> <b>664U0</b>	<b>SIGNATURE</b> <b>X</b>	<b>Component</b>	<b>Material</b>	<b>Plating</b>
THIS DRAWING INCLUDING THE DESIGNS IS THE PROPERTY OF KONNECT RF AND IS NOT TO BE USED FOR ANY PURPOSE WITHOUT OUR APPROVAL.		Body	Stainless Steel Per QQ-S-764- Type 303	Gold Per MIL-G-45204
		Center Contact	Be.Cu PER	Gold Per MIL-G-45204 Type II
		Insulator	QQ-C-530 PTFE PER	
		Coupling Nut	MIL-P-19468 A Stainless Steel PER QQ-S-764 Type 303	Gold Per MIL-G-45204