

PART NUMBER

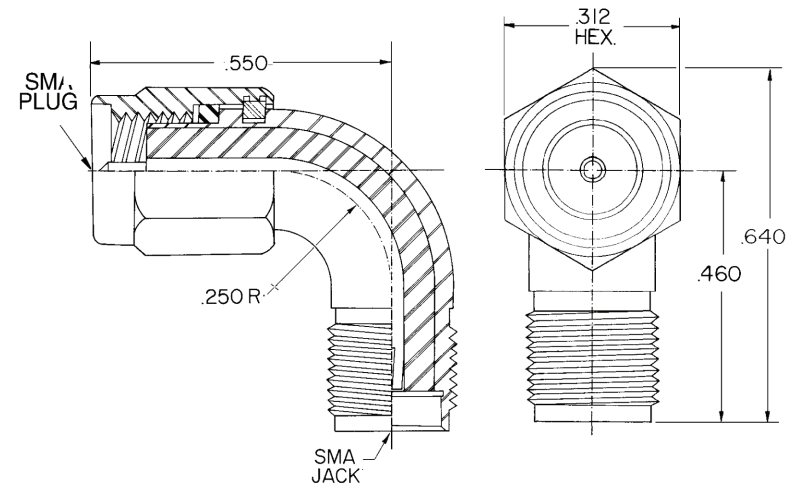
KAD177698

REV.

INITIAL

Electrical Data

Impedance 50 Ω
 Frequency Range DC-18 GHz
 VSWR 1.3

RoHS Compliant

Drawing not to scale. Dimensions for reference only

Units: inches

WWW.KONNECTRF.COM
 1-800-790-5887

PART NUMBER

KAD177698

DESCRIPTION

Adapter, In-Series
SMA Radius Right Angle Male Plug to Female Jack

CAGE CODE

664U0

SIGNATURE

X

THIS DRAWING INCLUDING THE
 DESIGNS IS THE PROPERTY OF
 KONNECT RF AND IS NOT TO
 BE USED FOR ANY PURPOSE
 WITHOUT OUR APPROVAL.

Component

Body
 Center Contact
 Insulator

Material

Stainless Steel
 Be.Cu
 PTFE

Plating

Passivated
 Gold