

PART NUMBER

KAD177695

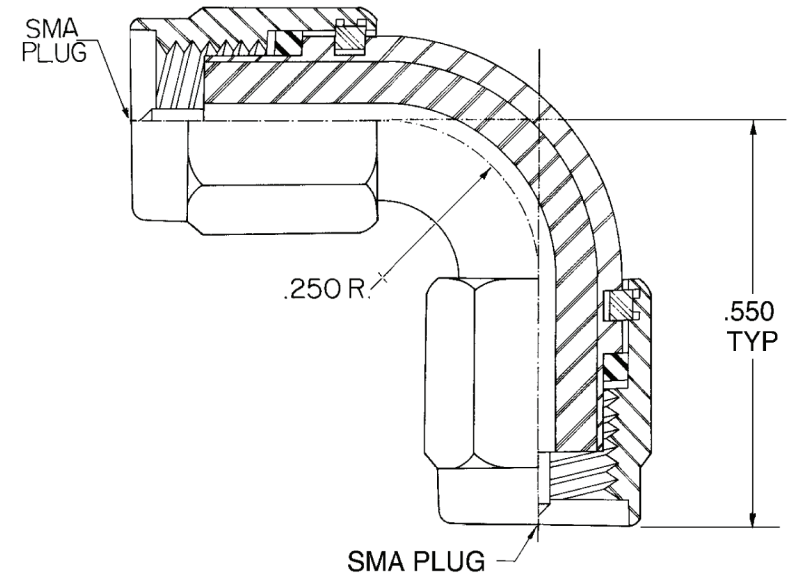
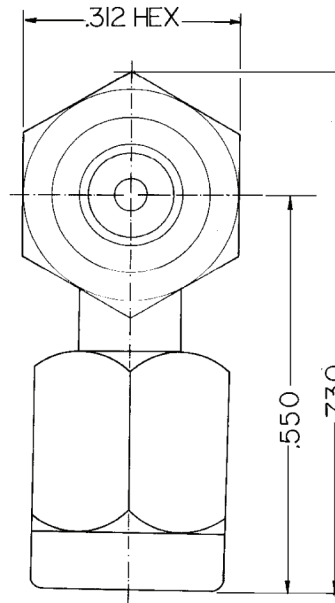
REV.

INITIAL

Electrical Data

Impedance 50 Ω
 Frequency Range DC - 18GHz
 VSWR 1.3:1 Max.

Adapter to meet or exceed all specifications per MIL-39012
 Mating dimensions in accordance with MIL-STD-348

**RoHS Compliant**

VSWR and Frequency Range Specifications
 are for reference and are dependant on cable
 type and other application specific conditions

Drawing not to scale. Dimensions for reference only

540 NW University Blvd. Ste. 109
 Port Saint Lucie, Florida, 34986
 1-800-790-5887

PART NUMBER

KAD177695

DESCRIPTION

Adapter - In Series
SMA Radius Right Angle Male Plug to Male Plug

CAGE CODE

664U0

SIGNATURE

X

Materials

Body
Coupling Nut
Contact
Insulator

Stainless Steel
Stainless Steel
Be-Cu
PTFE

Passivated
Passivated
Gold Plated

THIS DRAWING INCLUDING THE
 DESIGNS IS THE PROPERTY OF
 KONNECT RF AND IS NOT TO
 BE USED FOR ANY PURPOSE
 WITHOUT OUR APPROVAL.