

PART NUMBER

**KAD177694**

REV.

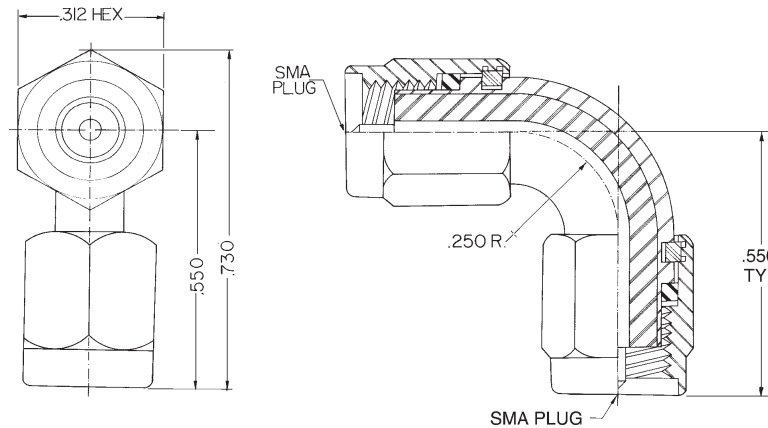
DATE

COMMENTS

INITIAL

**Electrical Data**

Impedance 50  $\Omega$   
 Frequency Range DC - 18 GHz  
 VSWR  $\leq 1.25$  @ 18 GHz

**RoHS Compliant**

Drawing not to scale. Dimensions for reference only

Units: inches

**Konnect RF**

WWW.KONNECTRF.COM  
 1-800-790-5887

PART NUMBER

**KAD177694**

DESCRIPTION

**Adapter, In-Series, SMA Radius Right Angle Male Plug to Male Plug**

CAGE CODE

**664U0**

SIGNATURE

X

THIS DRAWING INCLUDING THE  
 DESIGNS IS THE PROPERTY OF  
 KONNECT RF AND IS NOT TO  
 BE USED FOR ANY PURPOSE  
 WITHOUT OUR APPROVAL.

**Component**

Body & Nuts  
 Center Contact  
 Insulator

**Material**

Stainless Steel  
 BeCu  
 PTFE

**Plating**

Gold  
 Gold