

PART NUMBER

**KAD177687**

REV.

DATE

COMMENTS

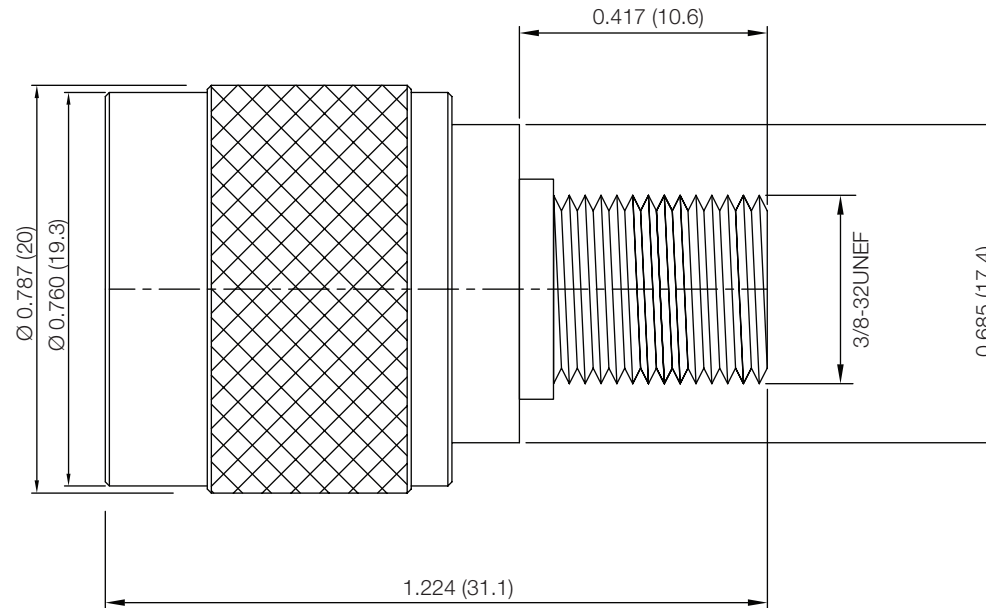
INITIAL

**Electrical Data**

Impedance

N MP 50 Ω

F FJ 75 Ω

**RoHS Compliant**

Drawing not to scale. Dimensions for reference only

Units: inches (mm)

**Konnect RF**

WWW.KONNECTRF.COM

1-800-790-5887

PART NUMBER

**KAD177687**

DESCRIPTION

**Adapter, Between Series, N Male Plug  
50 Ohm to F Female Jack 75 Ohm**

CAGE CODE

**664U0**

SIGNATURE

X

THIS DRAWING INCLUDING THE  
DESIGNS IS THE PROPERTY OF  
KONNECT RF AND IS NOT TO  
BE USED FOR ANY PURPOSE  
WITHOUT OUR APPROVAL.

**Component**

Body, Ring, & Shell  
Contact Pin  
Ferrule  
Dielectric  
Gasket  
Insulator

**Material**

Brass  
Brass  
Brass  
Delrin  
Silicone Rubber

**Plating**

Nickel  
Gold  
Nickel