

PART NUMBER

**KAD177663**

REV.

DATE

COMMENTS

INITIAL

RoHS Compliant

**Electrical Data**

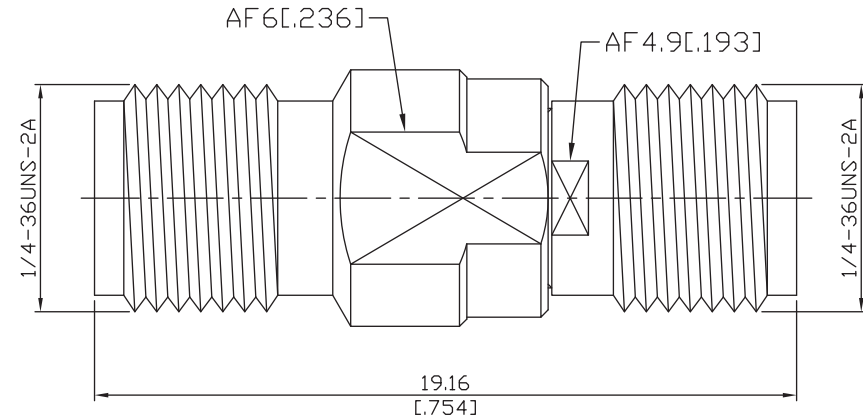
Impedance	50 $\Omega$
Frequency Range	DC - 40 GHz.
Insertion Loss	$\leq 0.04 \times \sqrt{f(\text{GHz})}$ dB
Working Voltage (at sea level)	250 VRMS
Insulation Resistance	$\geq 5000$ M $\Omega$
Dielectric Withstanding Voltage (at sea level)	750 VRMS
VSWR	$\leq 1.15$ (DC To 40 GHz)
RF Leakage	$\geq 100$ dB to 1 GHz

**Mechanical Data**

Recommended Coupling Nut Torque	11.47 in-lbs
Coupling Proof Torque	15 in-lbs
Contact Captivation-axial	$\geq 4.9$ lbs
Durability	$\geq 500$ Cycles Min.
Temperature Range:	-55 $^{\circ}\text{C}$ - 105 $^{\circ}\text{C}$

**Standards**

Thermal Shock	MIL-STD-202, Method 107, Condition B
Moisture Resistance	MIL-STD-202, Method 206
Corrosion	MIL-STD-202, Method 101, Condition B

**Drawing not to scale. Dimensions for reference only****Units: mm (inches)****Konnect RF**

**WWW.KONNECTRF.COM**  
**1-800-790-5887**

PART NUMBER

**KAD177663**

DESCRIPTION

**Adapter, In-Series, 2.92mm Female Jack to Female Jack**

CAGE CODE

**664U0**

SIGNATURE

**X****Component**

Body  
Center Contact

**Material**

Stainless Steel  
BeCu

**Plating**

Passivated  
Gold 4 Over Nickel-Phosphorus  
Alloy 80 Over Copper 20

Insulator

PPO

THIS DRAWING INCLUDING THE  
DESIGNS IS THE PROPERTY OF  
KONNECT RF AND IS NOT TO  
BE USED FOR ANY PURPOSE  
WITHOUT OUR APPROVAL.