

PART NUMBER

KAD177634

REV.

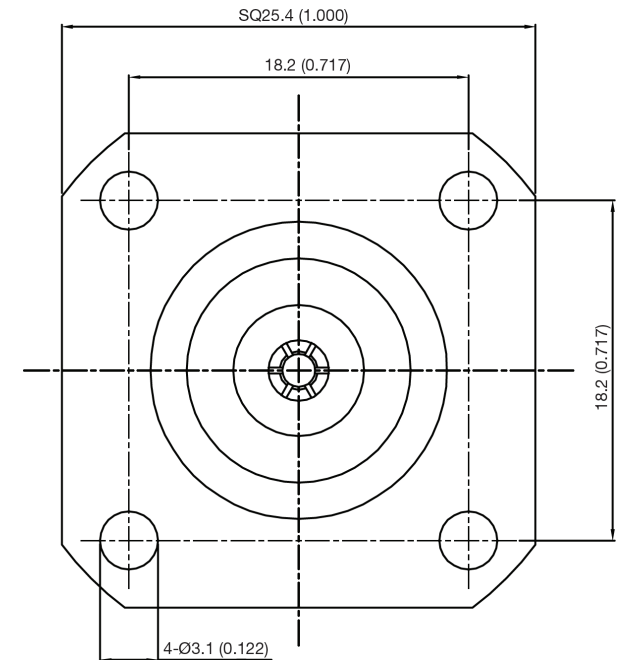
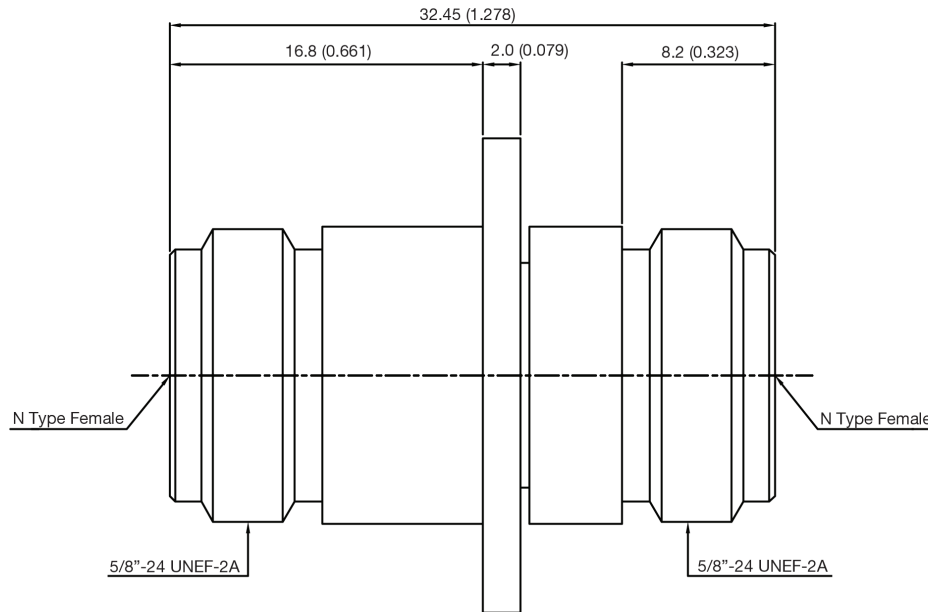
DATE

DESC.

INITIAL

Electrical Data

Impedance 50 Ohm
 Frequency Range DC - 18 GHz
 Return Loss -20 dB @ DC - 18 GHz

RoHS Compliant

VSWR and Frequency Range Specifications
 are for reference and are dependant on cable
 type and other application specific conditions

540 NW University Blvd. Ste. 109
 Port Saint Lucie, Florida, 34986
 1-800-790-5887

PART NUMBER

KAD177634

DESCRIPTION

Precision Adapter - In-Series - N Female Jack to Female Jack - 4-Hole Flange Mount

CAGE CODE

664U0

SIGNATURE

X

Materials

Body
Center Contact
Insulator

Stainless Steel
Be-Cu
Ultem 1000

Passivated
Gold Plated

THIS DRAWING INCLUDING THE
 DESIGNS IS THE PROPERTY OF
 KONNECT RF AND IS NOT TO
 BE USED FOR ANY PURPOSE
 WITHOUT OUR APPROVAL.