

PART NUMBER

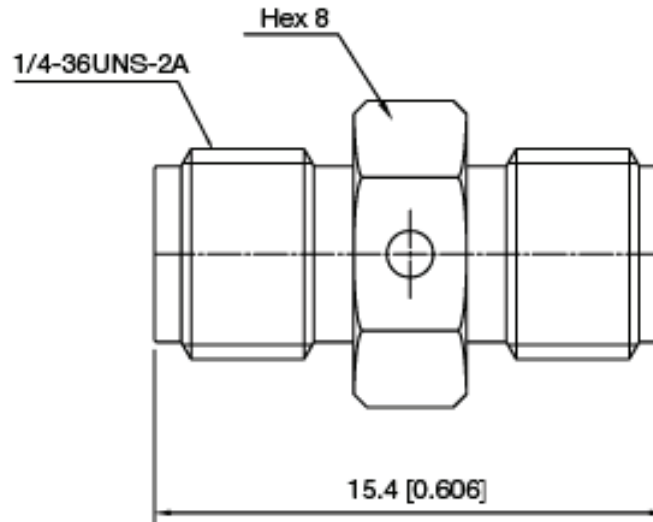
**KAD177612**

REV.

INITIAL

**Electrical Data**

Impedance	50 $\Omega$
Frequency Range	DC - 18 GHz
VSWR	1.20:1
Insulation Resistance	5000 M $\Omega$ Min.
Contact Resistance	$\leq 3$ M $\Omega$
Working Voltage	335 V rms Max.
DWV	1000 V Min
Temperature Range	-45°C ~ + 85°C
Durability	500 Cycles

**RoHS Compliant**

VSWR and Frequency Range Specifications  
are for reference and are dependant on cable  
type and other application specific conditions

Drawing not to scale. Dimensions for reference only

WWW.KONNECTRF.COM  
540 NW University Blvd. Ste. 109  
Port Saint Lucie, Florida, 34986  
1-800-790-5887

PART NUMBER

**KAD177612**

DESCRIPTION

**Adapter - In-Series**  
**SMA Female Jack to Female Jack - Hex**

CAGE CODE

**664U0**

SIGNATURE

X

THIS DRAWING INCLUDING THE  
DESIGNS IS THE PROPERTY OF  
KONNECT RF AND IS NOT TO  
BE USED FOR ANY PURPOSE  
WITHOUT OUR APPROVAL.

**Materials**

Body  
Center Contact  
Insulator

Brass  
Be.Cu  
PTFE

Gold Plated  
Gold Plated