

PART NUMBER

KAD177567

REV.

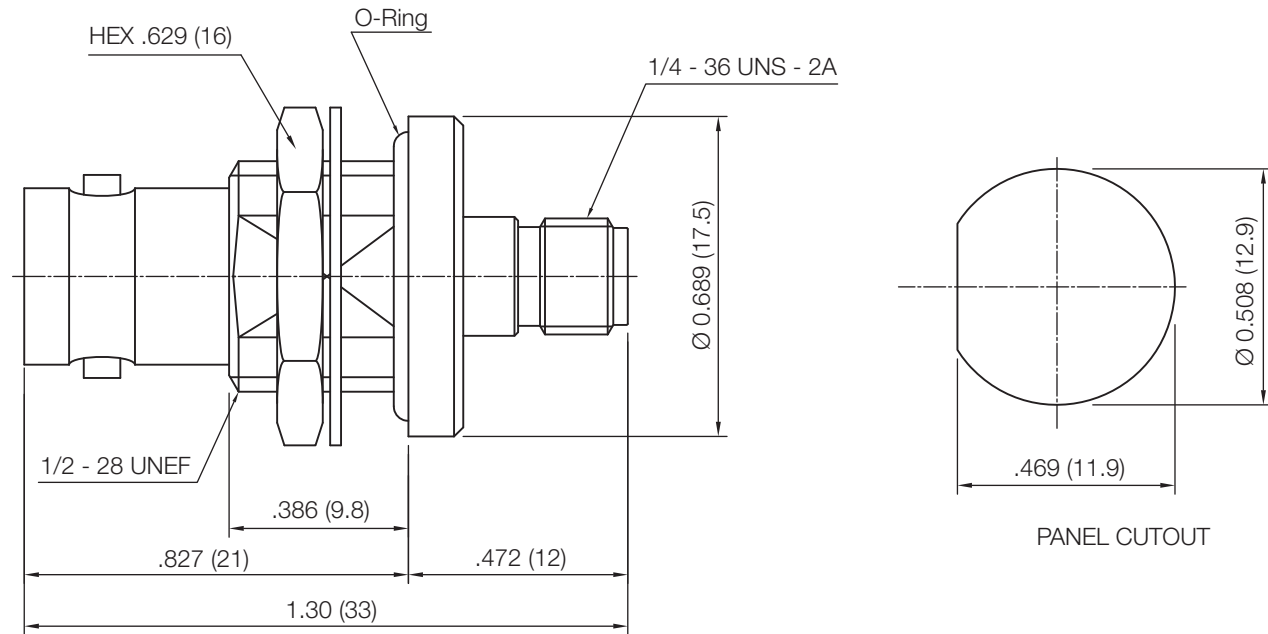
DATE

COMMENTS

INITIAL

Electrical Data

Impedance 50 Ω

RoHS Compliant

Drawing not to scale. Dimensions for reference only

Units: inches (mm)

Konnect RFWWW.KONNECTRF.COM
1-800-790-5887

PART NUMBER

KAD177567

DESCRIPTION

**Adapter, Between Series, BNC Female Jack
Bulkhead to SMA Female Jack, O-Ring Seal**

CAGE CODE

664U0

SIGNATURE

X

THIS DRAWING INCLUDING THE
DESIGNS IS THE PROPERTY OF
KONNECT RF AND IS NOT TO
BE USED FOR ANY PURPOSE
WITHOUT OUR APPROVAL.**Component**Body, Nut
Washer
Center Contact
Insulator
O-Ring**Material**Stainless
Brass
BeCu
PTFE
Silicone Rubber**Plating**Passivated
Nickel
Gold