

PART NUMBER

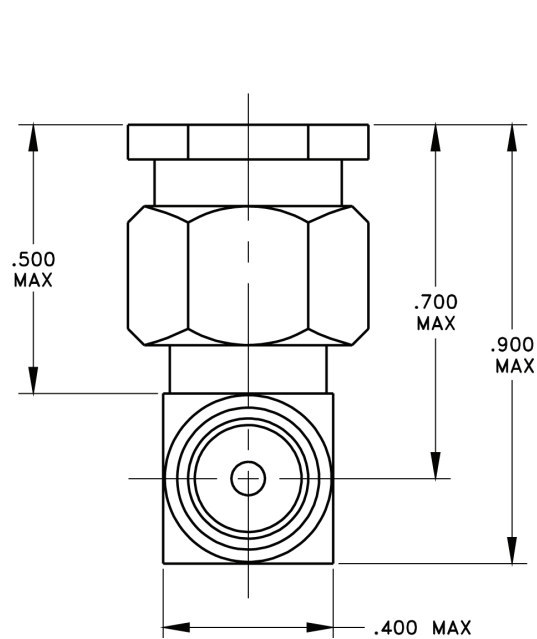
KAD177558

REV.

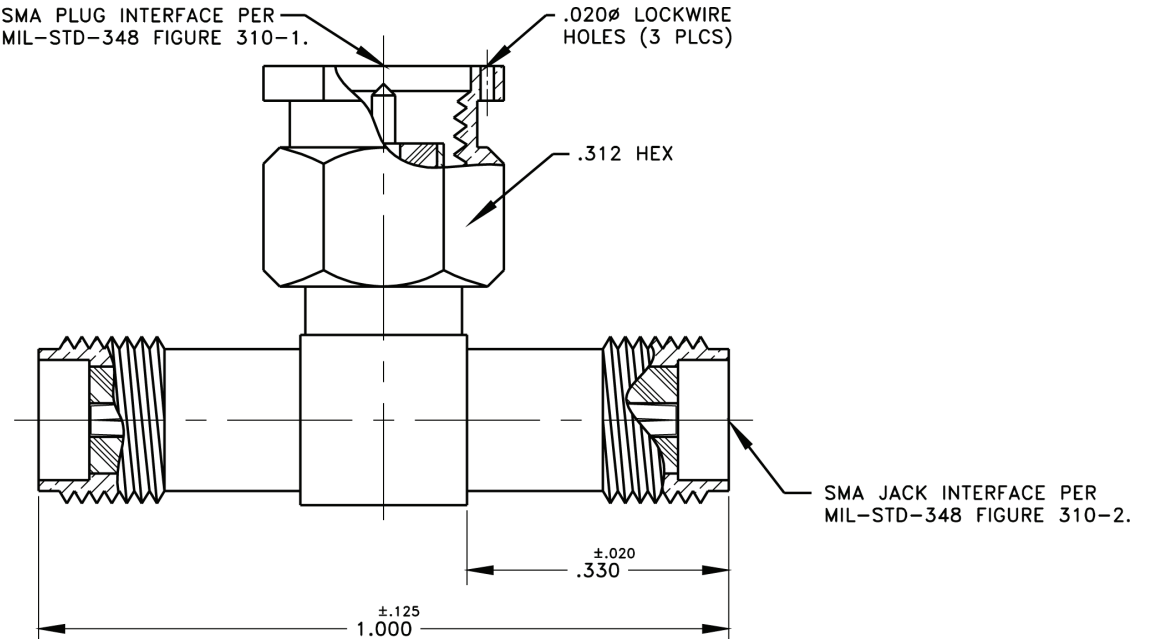
INITIAL

Electrical Data

Impedance	50 Ω
Frequency Range	DC - 12.4 GHz
Voltage Rating	335 VRMS Max.
DWV	1000 VRMS Min.
Insulation Resistance	5000 M Ω Min.



SMA PLUG INTERFACE PER MIL-STD-348 FIGURE 310-1.



540 NW University Blvd. Ste. 109
Port Saint Lucie, Florida, 34986
1-800-790-5887

PART NUMBER

KAD177558

DESCRIPTION

**Adapter - T Type - In-Series
SMA Female to Male to Female**

CAGE CODE

664U0

SIGNATURE

X

Materials

Body / Sleeve
Contact
Retaining Ring
Gasket
Insulator

Stainless Steel
Brass
Be-Cu
Silicone Rubber
PTFE

Passivated
Gold Plated

THIS DRAWING INCLUDING THE
DESIGNS IS THE PROPERTY OF
KONNECT RF AND IS NOT TO
BE USED FOR ANY PURPOSE
WITHOUT OUR APPROVAL.