

PART NUMBER

KAD177516

REV.

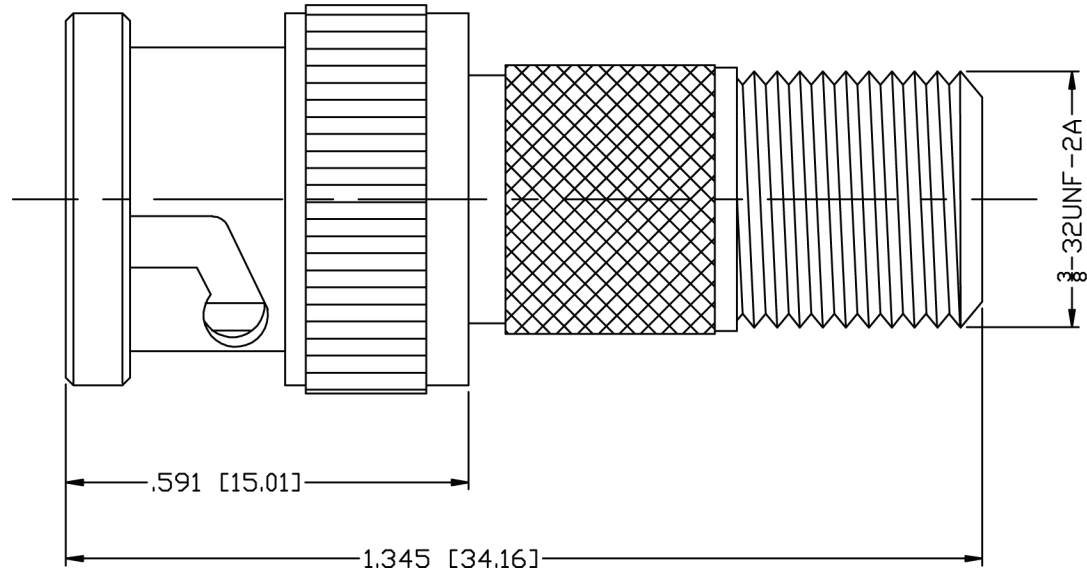
DATE

DESC.

INITIAL

Electrical Data

Impedance 50 Ohm



WWW.KONNECTRF.COM
 540 NW University Blvd. Ste. 109
 Port Saint Lucie, Florida, 34986
 1-800-790-5887

PART NUMBER

KAD177516DESCRIPTION **Adapter - Between Series - BNC Male Plug to F Female Jack**

CAGE CODE

664U0

SIGNATURE

X

Materials

Body
 Center Contact
 Shell
 Washer
 Insulator
 O-Ring

Zinc
 Be-Cu
 Zinc
 Brass
 Delrin
 Silicone Rubber

Nickel Plated
 Gold Plated
 Nickel Plated
 Nickel Plated

THIS DRAWING INCLUDING THE
 DESIGNS IS THE PROPERTY OF
 KONNECT RF AND IS NOT TO
 BE USED FOR ANY PURPOSE
 WITHOUT OUR APPROVAL.