

PART NUMBER

KAD177489

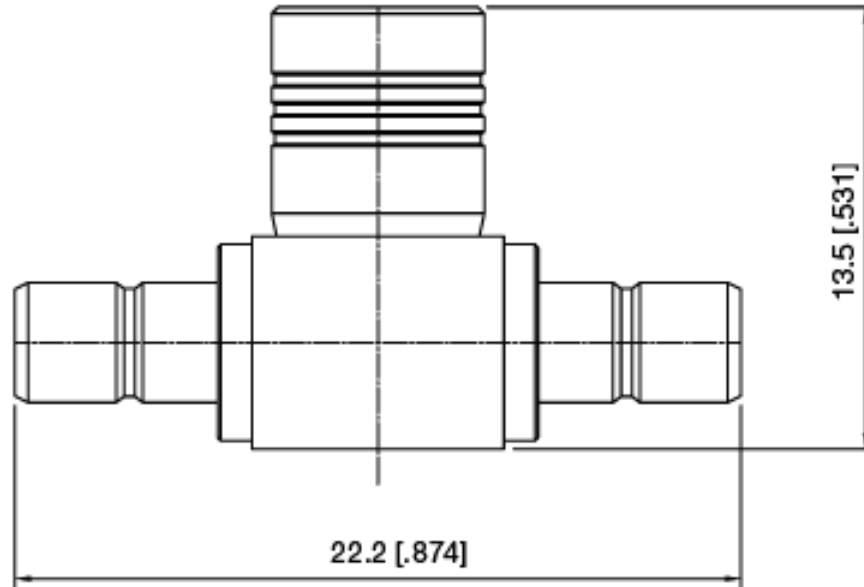
REV.

INITIAL

Electrical Data**RoHS Compliant**

Impedance

50 Ω



VSWR and Frequency Range Specifications
are for reference and are dependant on cable
type and other application specific conditions

Drawing not to scale. Dimensions for reference only

WWW.KONNECTRF.COM
540 NW University Blvd. Ste. 109
Port Saint Lucie, Florida, 34986
1-800-790-5887

PART NUMBER

KAD177489

DESCRIPTION

**Adapter - T-Type
SMB Male Jack to Female Plug to Male Jack**

CAGE CODE

664U0

SIGNATURE

X

Materials

**Body
Center Male Contact
Center Female Contact
Insulator**

**Brass
Brass
Be.Cu
PTFE**

**Gold Plated
Gold Plated
Gold Plated**

THIS DRAWING INCLUDING THE
DESIGNS IS THE PROPERTY OF
KONNECT RF AND IS NOT TO
BE USED FOR ANY PURPOSE
WITHOUT OUR APPROVAL.