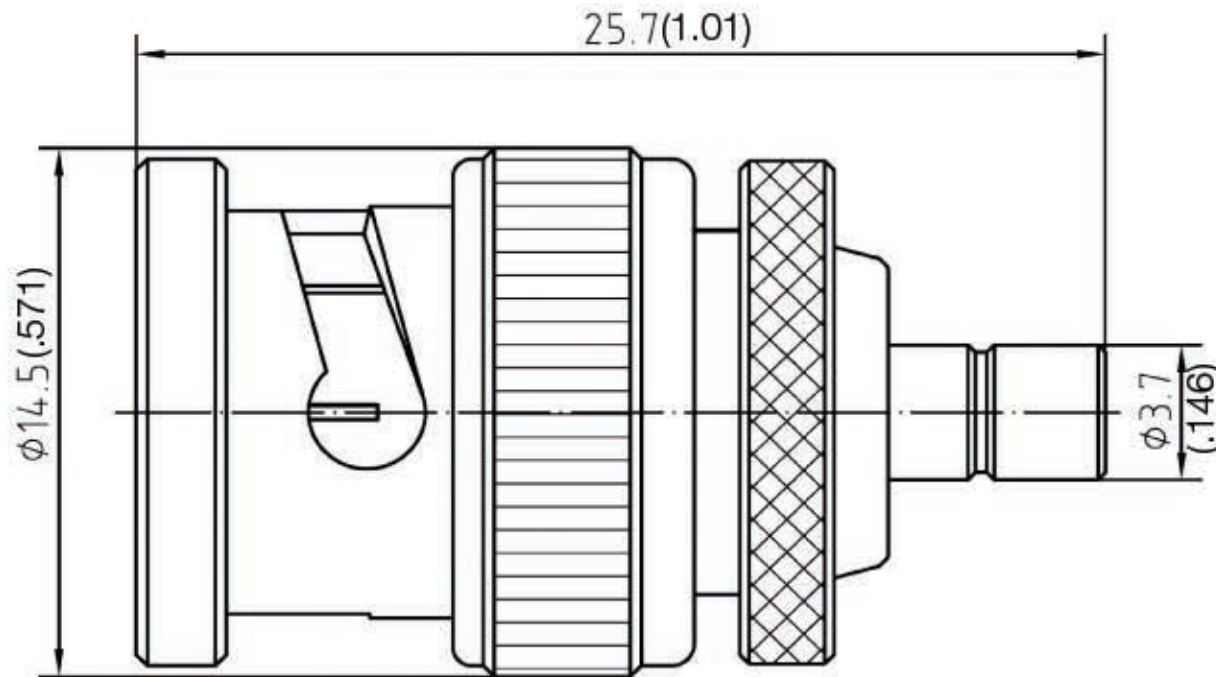


PART NUMBER

**KAD177485**

REV.

INITIAL



540 NW University Blvd. Ste. 109  
Port Saint Lucie, Florida, 34986  
1-800-790-5887

PART NUMBER

**KAD177485**

DESCRIPTION **Adapter, Between Series -  
Straight BNC Male Plug to SMB Male Jack**

CAGE CODE

**664U0**

SIGNATURE

X

NOTES

THIS DRAWING INCLUDING THE  
DESIGNS IS THE PROPERTY OF  
KONNECT RF AND IS NOT TO  
BE USED FOR ANY PURPOSE  
WITHOUT OUR APPROVAL.

5	Insulator	PTFE	
4	Body (SMB Male)	Brass	Gold Plated
3	Body (BNC Male)	Brass	Nickel Plated
2	Centre Contact (SMB Male)	Brass	Gold Plated
1	Centre contact (BNC Male)	Brass	Gold Plated
Item No.	Description	Materials	Surface Plating