

PART NUMBER

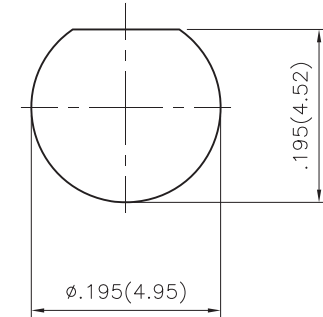
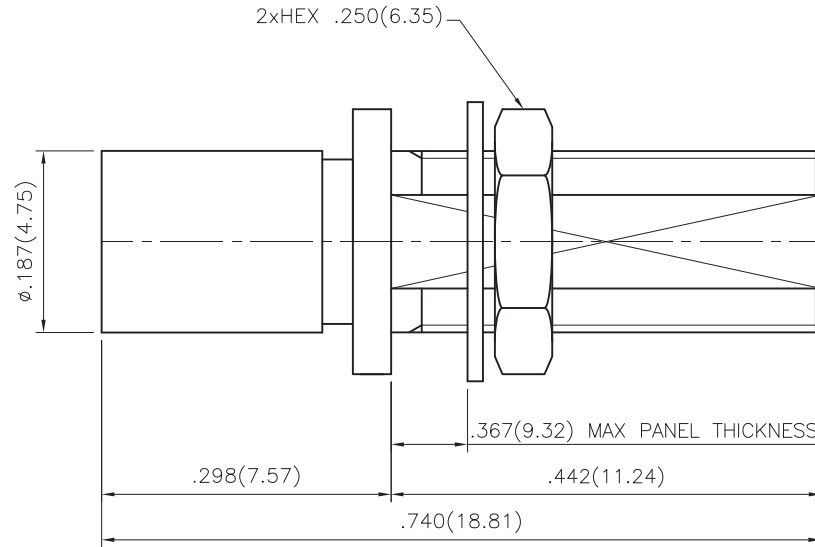
KAD177476

REV.

INITIAL

Electrical Data

Impedance 50 Ω
 Frequency Range DC - 6 GHz.
 VSWR ≤ 1.2

RoHS Compliant

Mounting hole

Drawing not to scale. Dimensions for reference only

Units: inches (mm)

Konnect RF

WWW.KONNECTRF.COM
 1-800-790-5887

PART NUMBER

KAD177476DESCRIPTION **Adapter, In-Series, MCX Female Jack to Female Jack Bulkhead Mount**

CAGE CODE

664U0

SIGNATURE

X

THIS DRAWING INCLUDING THE
 DESIGNS IS THE PROPERTY OF
 KONNECT RF AND IS NOT TO
 BE USED FOR ANY PURPOSE
 WITHOUT OUR APPROVAL.

Component

Body
 Center Contact
 Insulator

Material

Brass
 BeCu
 PTFE

Plating

Nickel
 Gold