

PART NUMBER

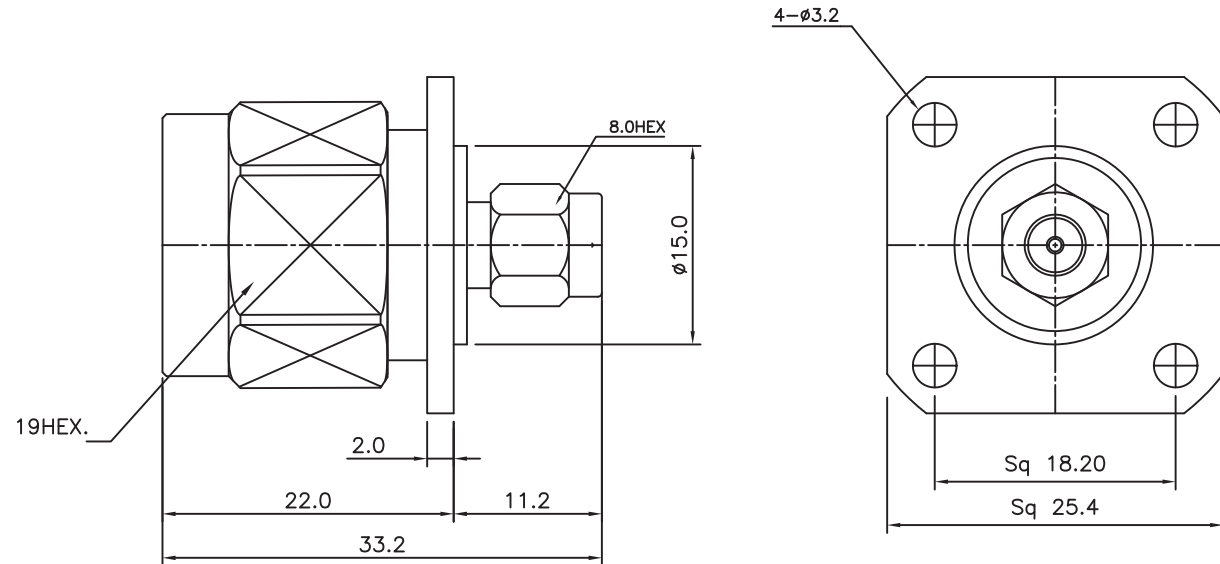
KAD177470

REV.

INITIAL

Electrical Data

Impedance 50 Ω
 Frequency Range DC - 18 GHz.
 VSWR ≤ 1.25

RoHS Compliant

Drawing not to scale. Dimensions for reference only

Units: mm

Konnnect RF

WWW.KONNECTRF.COM
 1-800-790-5887

PART NUMBER

KAD177470

DESCRIPTION

Adapter, Between Series, N Male Plug to SMA Male Plug, 4 Hole Flange Mount

CAGE CODE

664U0

SIGNATURE

X

THIS DRAWING INCLUDING THE DESIGNS IS THE PROPERTY OF KONNECT RF AND IS NOT TO BE USED FOR ANY PURPOSE WITHOUT OUR APPROVAL.

Component

Body
 Center Contact
 Insulator
 O-Ring

Material

Stainless Steel
 BeCu
 PTFE
 Silicone Rubber

Plating/Finish

Passivated
 Gold