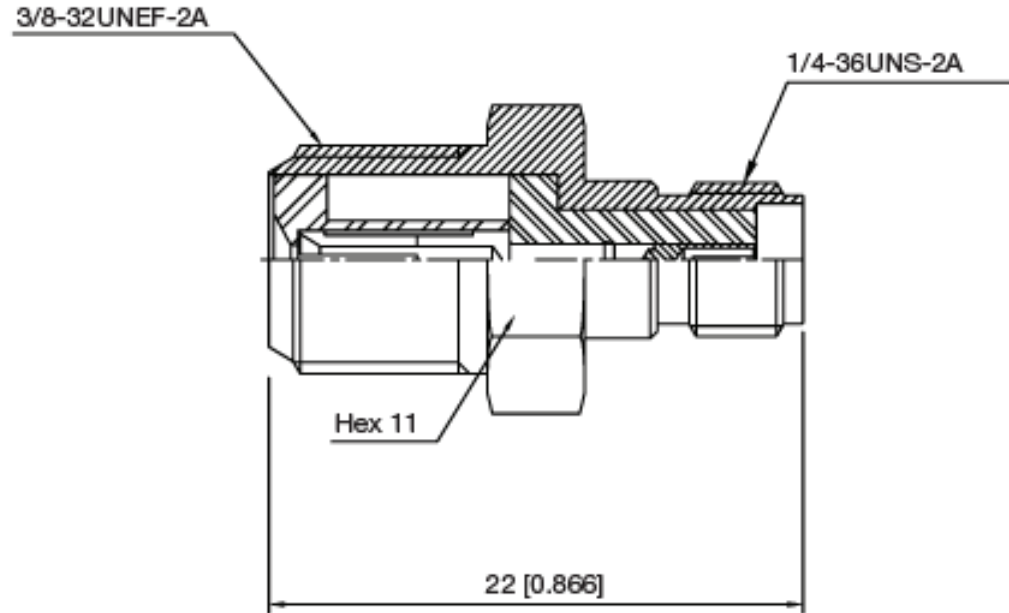


PART NUMBER

KAD177468

REV.

INITIAL

Electrical DataSMA Connector
F Connector50 Ω
75 Ω**RoHS Compliant**

VSWR and Frequency Range Specifications
are for reference and are dependant on cable
type and other application specific conditions

Drawing not to scale. Dimensions for reference only

WWW.KONNECTRF.COM
540 NW University Blvd. Ste. 109
Port Saint Lucie, Florida, 34986
1-800-790-5887

PART NUMBER

KAD177468

DESCRIPTION

**Adapter - Between Series
F Female Jack to SMA Female Jack**

CAGE CODE

664U0

SIGNATURE

X

Materials

**Body
Center Contact
Insulator**

**Brass
Be.Cu
PTFE**

**Nickel Plated
Gold Plated**

THIS DRAWING INCLUDING THE
DESIGNS IS THE PROPERTY OF
KONNECT RF AND IS NOT TO
BE USED FOR ANY PURPOSE
WITHOUT OUR APPROVAL.