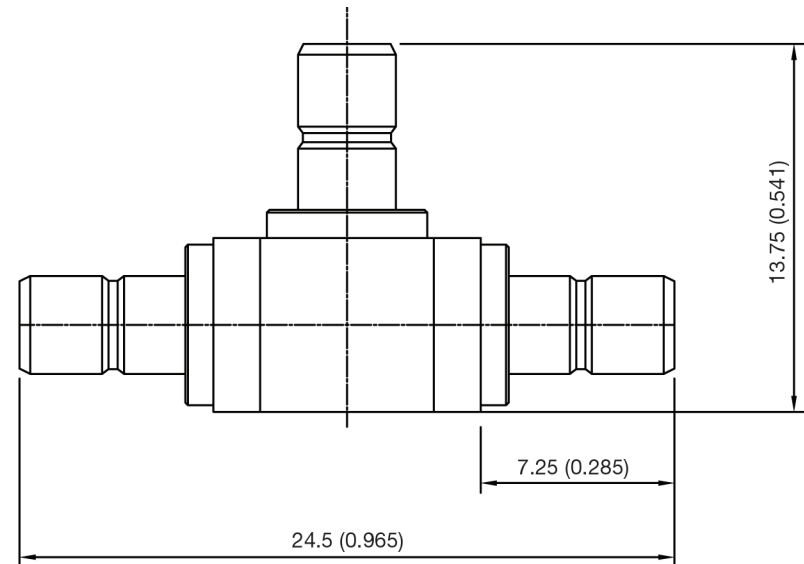


PART NUMBER

KAD177462

REV.

INITIAL

Electrical Data**RoHS Compliant**Impedance 50 Ω 

VSWR and Frequency Range Specifications are for reference and are dependant on cable type and other application specific conditions

Drawing not to scale. Dimensions for reference only

WWW.KONNECTRF.COM
540 NW University Blvd. Ste. 109
Port Saint Lucie, Florida, 34986
1-800-790-5887

PART NUMBER

KAD177462

DESCRIPTION

Adapter - T-Type - In-Series - SMB Male Jack to Male Jack to Male Jack

CAGE CODE

664U0

SIGNATURE

X

Materials

Body
Center Contact
Insulator

Brass
Brass
PTFE

Gold Plated
Gold Plated

THIS DRAWING INCLUDING THE DESIGNS IS THE PROPERTY OF KONNECT RF AND IS NOT TO BE USED FOR ANY PURPOSE WITHOUT OUR APPROVAL.