

PART NUMBER

KAD177449

REV.

A

8/8/12

Added Specs

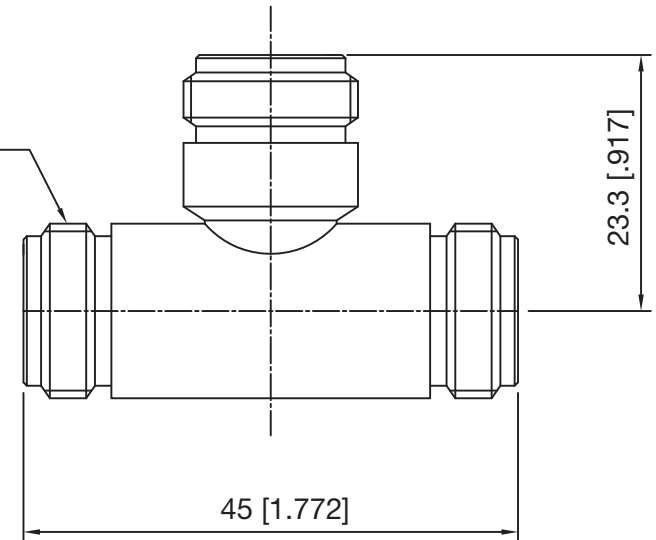
INITIAL

Electrical Data

Impedance	50 Ω
Frequency Range	DC-11 GHz
Contact Current	DC 7.5A max
Working Voltage	1000V rms
Contact Resistance	Center Contacts 2.0m Ω Outer Contacts 0.2m Ω
Insulation Resistance	5000M Ω
Insertion Loss	3.0 dB
VSWR	2.0:1 max

RoHS Compliant

5/8-24UNEF-2A



Drawing not to scale. Dimensions for reference only

Units: mm (Inches)

Konnect RF

WWW.KONNECTRF.COM
1-800-790-5887

PART NUMBER

KAD177449

DESCRIPTION

**Adapter, T-Type
N Female Jack to Female Jack**

CAGE CODE

664U0

SIGNATURE

X

THIS DRAWING INCLUDING THE
DESIGNS IS THE PROPERTY OF
KONNECT RF AND IS NOT TO
BE USED FOR ANY PURPOSE
WITHOUT OUR APPROVAL.

Component

Body
Center Contact
Insulator

Material

Brass
Be.Cu
PTFE

Plating

Nickel
Gold