

PART NUMBER

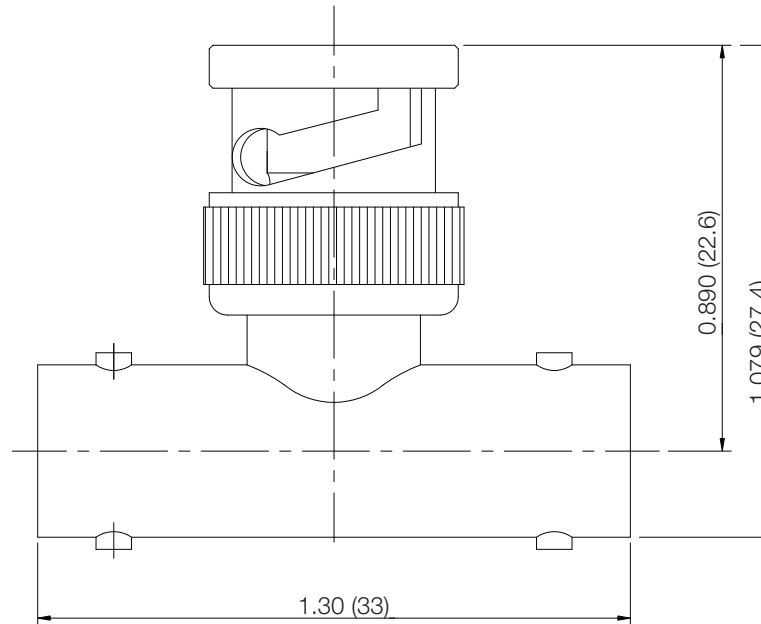
KAD177431

REV.

DATE

COMMENTS

INITIAL

Electrical DataImpedance 75 Ω **RoHS Compliant**

Drawing not to scale. Dimensions for reference only

Units: inches (mm)

Konnect RFWWW.KONNECTRF.COM
1-800-790-5887

PART NUMBER

KAD177431

DESCRIPTION

Adapter, T Type, BNC Female Jack to Male Plug to Female Jack

CAGE CODE

664U0

SIGNATURE

X

THIS DRAWING INCLUDING THE
DESIGNS IS THE PROPERTY OF
KONNECT RF AND IS NOT TO
BE USED FOR ANY PURPOSE
WITHOUT OUR APPROVAL.**Component**Body
Contact Pin
Contact Pin
Insulator**Material**Die Cast
Brass
Phos. Bronze
PTFE**Plating**Nickel
Gold
Gold