

PART NUMBER

**KAD177428**

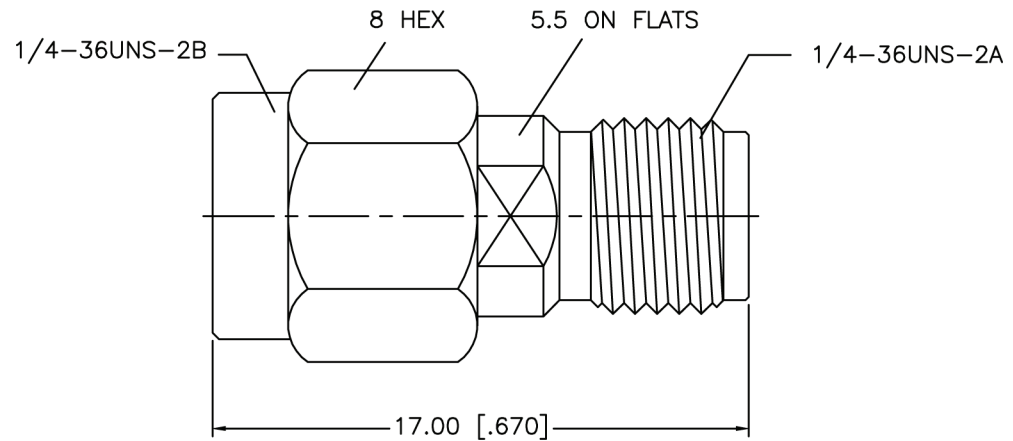
REV.

INITIAL

**Electrical Data**

Impedance

50 Ω

**RoHS Compliant**

VSWR and Frequency Range Specifications are for reference and are dependant on cable type and other application specific conditions

Drawing not to scale. Dimensions for reference only

WWW.KONNECTRF.COM  
540 NW University Blvd. Ste. 109  
Port Saint Lucie, Florida, 34986  
1-800-790-5887

PART NUMBER

**KAD177428**

DESCRIPTION

**Adapter - In-Series - SMA Male Plug to Female Jack (Reverse Polarity)**

CAGE CODE

**664U0**

SIGNATURE

X

Cable Types

RG 174, 188 &amp; 316

Materials

Body  
Contact Pin  
Retainer Ring  
Gasket  
Insulator

Brass  
Brass  
Be-Cu  
Silicone Rubber  
PTFE

Gold Plated  
Gold Plated  
Gold Plated

THIS DRAWING INCLUDING THE DESIGNS IS THE PROPERTY OF KONNECT RF AND IS NOT TO BE USED FOR ANY PURPOSE WITHOUT OUR APPROVAL.