

PART NUMBER

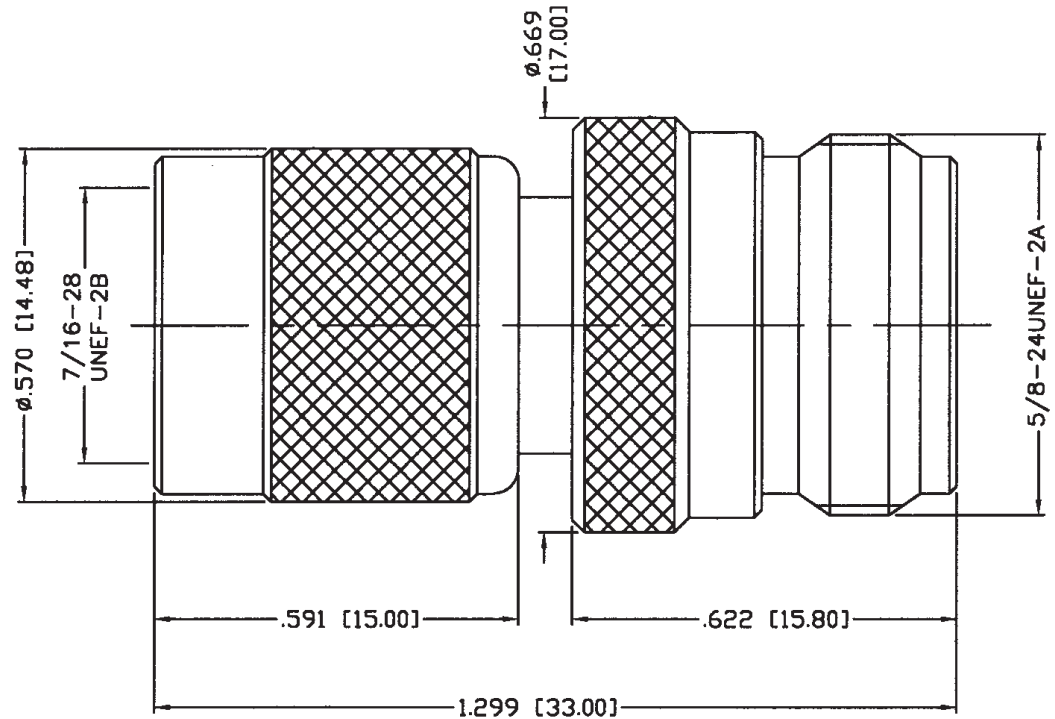
KAD177409

REV.

INITIAL

Electrical Data

Impedance 50 Ω
 Frequency Range DC - 7 GHz
 Working Voltage 500 V rms Max. @ sea level
 Insulation Resistance 5000M Ω



VSWR and Frequency Range Specifications are for reference and are dependant on cable type and other application specific conditions

Drawing not to scale. Dimensions for reference only

Konnect RF

540 NW University Blvd. Ste. 109
 Port Saint Lucie, Florida, 34986
 1-800-790-5887

PART NUMBER

KAD177409

DESCRIPTION

Adapter - Between Series - N Female Jack to TNC Male Plug

CAGE CODE

664U0

SIGNATURE

X

Materials

Body / Shell
 Washer / Ring
 Center Contact
 Gasket
 Insulator

Brass
 Brass
 Phos. Bronze
 Silicone Rubber
 PTFE

Nickel Plated
 Nickel Plated
 Gold Plated

THIS DRAWING INCLUDING THE DESIGNS IS THE PROPERTY OF KONNECT RF AND IS NOT TO BE USED FOR ANY PURPOSE WITHOUT OUR APPROVAL.