

PART NUMBER

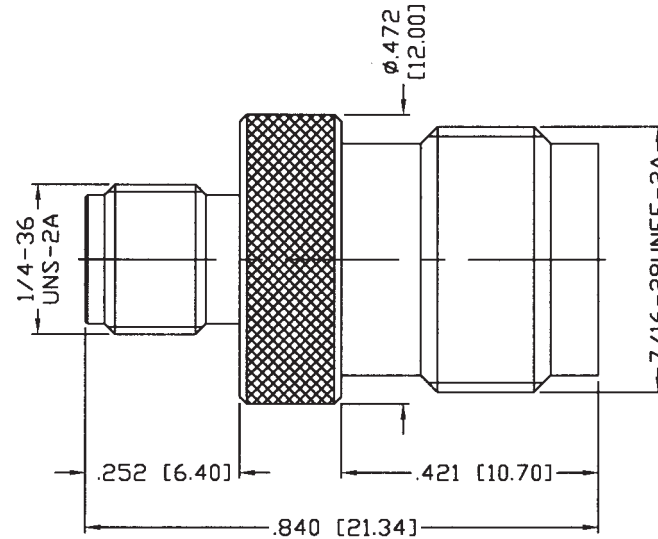
KAD177400

REV.

INITIAL

Electrical Data

Impedance	50 Ω
Frequency Range	DC - 11 GHz
VSWR	$\leq 1.12:1$ to 6 GHz
Insertion Loss	-0.13 dB Max. DC - 6 GHz
Working Voltage	375 V rms @ Sea Level
Temperature Range	-65°C to 165°C
Insulation Resistance	5k M Ω Min.
RF Leakage	N/A
RF High Potential	1k V rms @ 5 - 7.5 MHz
Connector Durability	500 Cycles Min.

RoHS Compliant

VSWR and Frequency Range Specifications are for reference and are dependant on cable type and other application specific conditions

Drawing not to scale. Dimensions for reference only

WWW.KONNECTRF.COM
540 NW University Blvd. Ste. 109
Port Saint Lucie, Florida, 34986
1-800-790-5887

PART NUMBER

KAD177400

DESCRIPTION

Adapter - Between Series - TNC Female Jack to SMA Female Jack

CAGE CODE

664U0

SIGNATURE

X

Materials

Body
Contact
Lock Ring
Insulator

Brass
Phos.Bronze
Brass
PTFE

Nickel Plated
Gold Plated
Nickel Plated

THIS DRAWING INCLUDING THE DESIGNS IS THE PROPERTY OF KONNECT RF AND IS NOT TO BE USED FOR ANY PURPOSE WITHOUT OUR APPROVAL.