

PART NUMBER

KAD177387

REV.

DATE

COMMENTS

INITIAL

B

07/09/14

Added & Updated Electrical Specs

*MP***Electrical Data**

Impedance	50 Ω
Frequency Range	DC - 6 GHz.
Insertion Loss	$\leq 0.03 \times \sqrt{f}$ (GHz) dB
Contact Resistance	
Center	≤ 2.0 m Ω
Outer	≤ 0.2 m Ω
Working Voltage	250 VRMS
Insulation Resistance	$\geq 5,000$ M Ω
VSWR	1.10 @ DC-435 MHz 1.20 @ 6 GHz Max

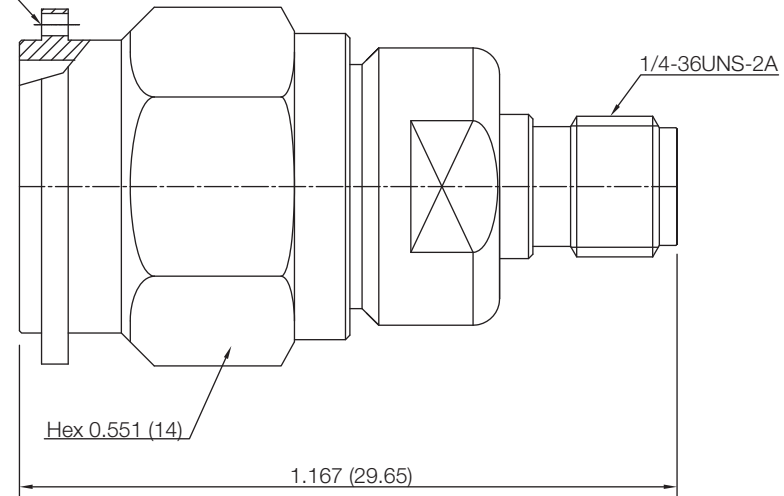
RoHS Compliant**Mechanical Data**

	TNC Side	SMA Side
Mating Cycles	Min. 500	Min. 500
Center Contact Captivation: axial	≥ 27 N	≥ 28 N
Coupling Test Torque	Max. 1.7 Nm	Max. 1.7 Nm
Temperature Range:	-65 °C - 125 °C	

Environmental

Thermal Shock	MIL-STD-202, Meth. 107, Cond. B
Corrosion	MIL-STD-202, Meth. 101, Cond. B
Vibration	MIL-STD-202, Meth. 204, Cond. D
Shock	MIL-STD-202, Meth. 213, Cond. I
Moisture Resistance	MIL-STD-202, Meth. 106

3- \varnothing 0.039 (1.0) Holes
PCD=0.575 (14.6)



Drawing not to scale. Dimensions for reference only

Units: inches (mm)

Konnect RF

WWW.KONNECTRF.COM
1-800-790-5887

PART NUMBER

KAD177387

DESCRIPTION

Adapter, Between Series, TNC Male Plug to SMA Female Jack, Lock Wire Holes

CAGE CODE

664U0

SIGNATURE

X

THIS DRAWING INCLUDING THE DESIGNS IS THE PROPERTY OF KONNECT RF AND IS NOT TO BE USED FOR ANY PURPOSE WITHOUT OUR APPROVAL.

Component

Body & Coupling Nut
Center Contact
Insulator

Material

Stainless Steel
BeCu
PTFE

Plating/Finish

Passivated
Gold