

PART NUMBER

**KAD177370**

REV.

DATE

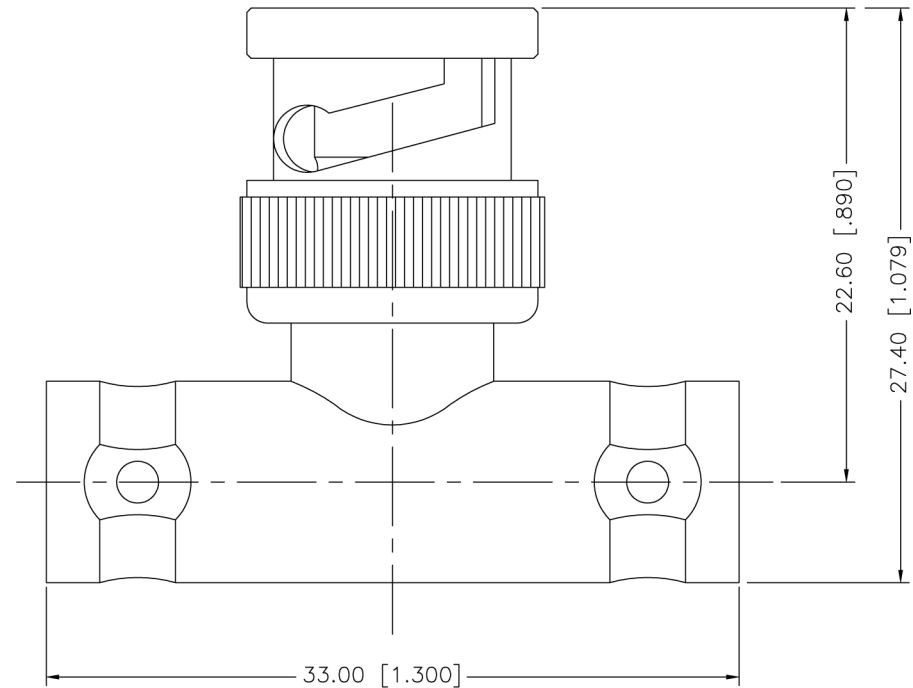
DESC.

INITIAL

**Electrical Data**

Impedance

50 Ohms

**RoHS Compliant**

VSWR and Frequency Range Specifications are for reference and are dependant on cable type and other application specific conditions

Drawing not to scale. Dimensions for reference only

# Konnnect RF

540 NW University Blvd. Ste. 109  
Port Saint Lucie, Florida, 34986  
1-800-790-5887

PART NUMBER

**KAD177370**

DESCRIPTION

**T Adapter - In-Series - BNC Female Jack to Male Plug to Female Jack**

CAGE CODE

**664U0**

SIGNATURE

X

**Materials**

**Body**  
**Center Contact**  
**Insulator**

**Diecast**  
**Brass**  
**PTFE**

**Nickel Plated**  
**Gold Plated**

THIS DRAWING INCLUDING THE DESIGNS IS THE PROPERTY OF KONNECT RF AND IS NOT TO BE USED FOR ANY PURPOSE WITHOUT OUR APPROVAL.