

PART NUMBER

KAD177352

REV.

DATE

COMMENTS

INITIAL

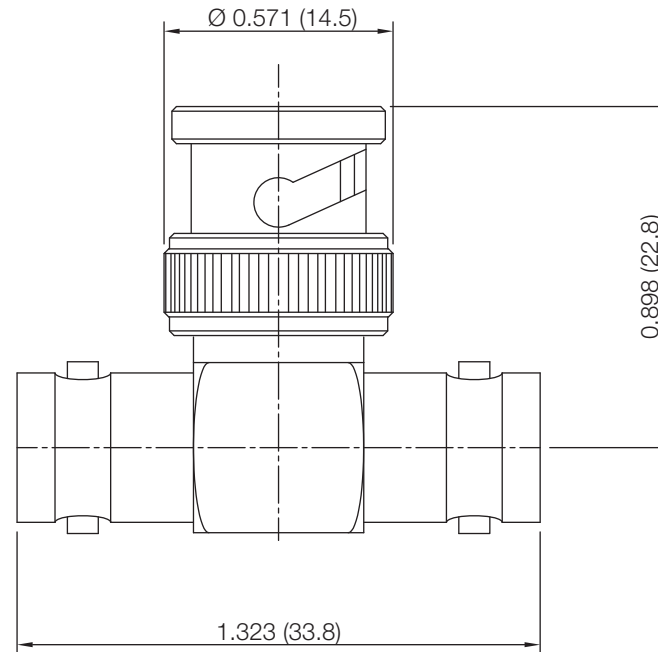
A

01/12/16

Updated Type-O

*MP***Electrical Data**

Impedance	50 Ω
Frequency Range	DC - 2 GHz.
Withstanding Voltage	1,500 VRMS for 1 min
Contact Resistance	$\geq 3 \text{ M}\Omega$ or less t 1ADC
Insulation Resistance	5,000 M Ω or more at 500VDC
Power Handling	2W Min
RF Leakage	$\leq -55 \text{ dB}$

RoHS Compliant

Drawing not to scale. Dimensions for reference only

Units: inches (mm)

Konnect RF

WWW.KONNECTRF.COM
1-800-790-5887

PART NUMBER

KAD177352

DESCRIPTION

Adapter, T-Type, BNC Female Jack to Male Plug to Female Jack

CAGE CODE

664U0

SIGNATURE

X

THIS DRAWING INCLUDING THE
DESIGNS IS THE PROPERTY OF
KONNECT RF AND IS NOT TO
BE USED FOR ANY PURPOSE
WITHOUT OUR APPROVAL.

Component

Body
Coupling Sleeve
Center Contact
Insulator

Material

Brass
Zinc
BeCu
PTFE

Plating

Nickel
Nickel
Gold