

PART NUMBER

KAD177347

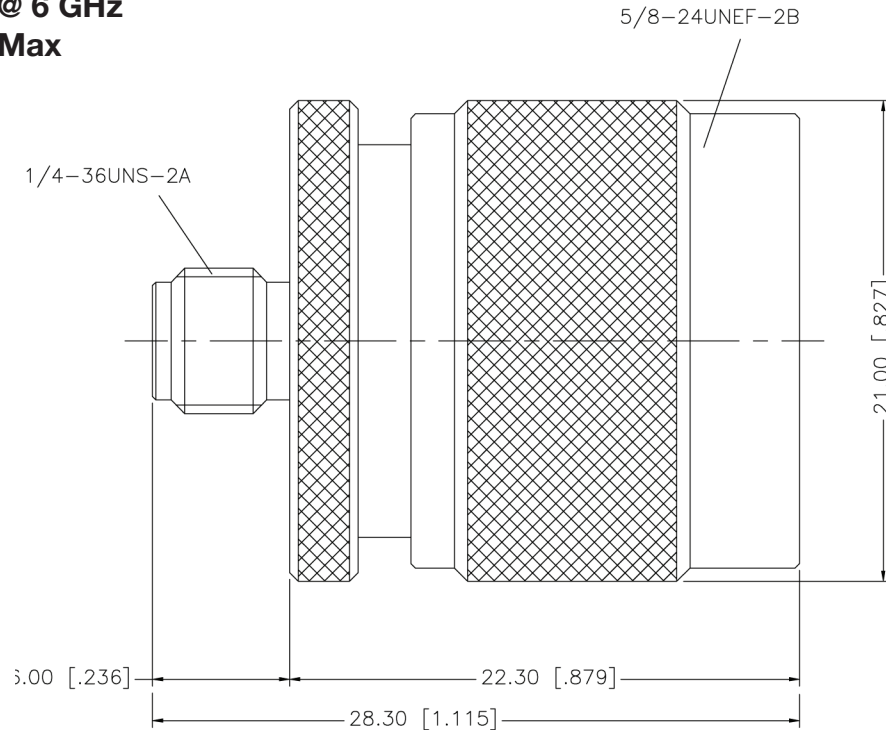
REV.

A**2/17/12****Added Specs**

INITIAL

Impedance
Frequency Range
VSWR

50 Ω
DC-11 GHz
1.10 @ 6 GHz
1.45 Max

RoHS Compliant

540 NW University Blvd. Ste. 109
Port Saint Lucie, Florida, 34986
1-800-790-5887

PART NUMBER

KAD177347

DESCRIPTION

Adapter - Between Series
N Male Plug to SMA Female Jack

CAGE CODE

664U0

SIGNATURE

X**Materials**

Insulator
Body
Contact

Teflon
Brass
Brass

Nickel Plated
Gold Plated

THIS DRAWING INCLUDING THE
DESIGNS IS THE PROPERTY OF
KONNECT RF AND IS NOT TO
BE USED FOR ANY PURPOSE
WITHOUT OUR APPROVAL.