

PART NUMBER

KAD177331

REV.

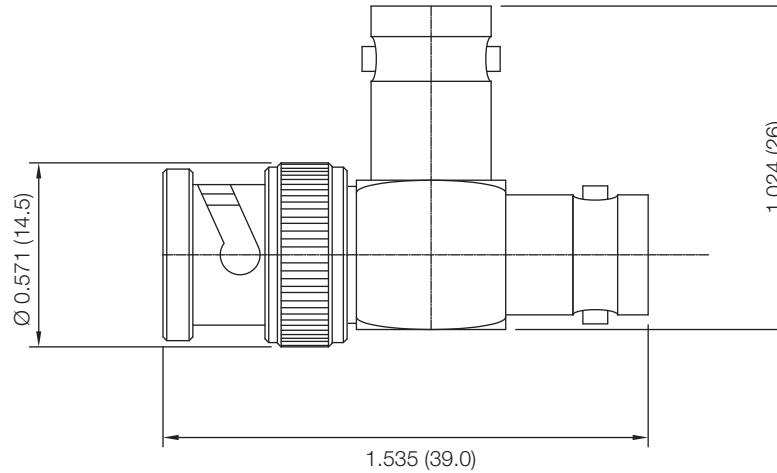
DATE

COMMENTS

INITIAL

Electrical Data

Impedance	50 Ω
Frequency Range	DC-4GHz
VSWR	max 2.0 @ DC-4.0 GHz

RoHS Compliant

Drawing not to scale. Dimensions for reference only

Units: inches (mm)

Konnect RF

WWW.KONNECTRF.COM
1-800-790-5887

PART NUMBER

KAD177331

DESCRIPTION

Adapter, T-Type, BNC Male Plug to Female Jack to Female Jack

CAGE CODE

664U0

SIGNATURE

X

THIS DRAWING INCLUDING THE DESIGNS IS THE PROPERTY OF KONNECT RF AND IS NOT TO BE USED FOR ANY PURPOSE WITHOUT OUR APPROVAL.

Component

Body
Coupling cap
Center Contact
Insulator
Gasket

Material

Brass
Zinc
BeCu
PTFE
Silicone Rubber

Plating

Nickel
Nickel
Gold