

PART NUMBER

KAD177330

REV.

DATE

COMMENTS

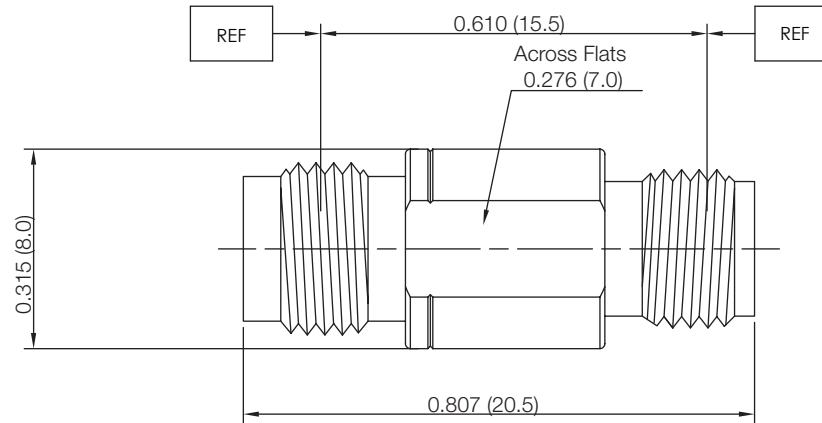
INITIAL

Electrical Data

Impedance 50 Ω
 Frequency Range DC - 33 GHz.
 VSWR 1.15 Max @ 33 GHz

Mechanical Data

Durability 1,000 Cycles Min.
 Temperature Range: -65 °C - 165 °C

RoHS Compliant

Drawing not to scale. Dimensions for reference only

Units: inches (mm)

Konnect RF

WWW.KONNECTRF.COM
 1-800-790-5887

PART NUMBER

KAD177330

DESCRIPTION

**Precision Adapter, Between Series, 3.5mm
 Female Jack to 2.4mm Female Jack**

CAGE CODE

664U0

SIGNATURE

X

THIS DRAWING INCLUDING THE
 DESIGNS IS THE PROPERTY OF
 KONNECT RF AND IS NOT TO
 BE USED FOR ANY PURPOSE
 WITHOUT OUR APPROVAL.

Component

Body
 Center Contact
 Insulator

Material

Stainless Steel
 BeCu
 PEI

Plating/Finish

Passivated
 Gold